

KitchenAid®

PRO LINE™ FRONT-LOADING AUTOMATIC WASHER

Use & Care Guide

For questions about features, operation/performance, parts, accessories or service, call: **1-800-422-1230**

In Canada, for assistance, installation or service, call: **1-800-807-6777** or visit our website at...

www.kitchenaid.com or www.KitchenAid.ca

LAVEUSE AUTOMATIQUE PRO LINE™ À CHARGEMENT FRONTAL

Guide d'utilisation et d'entretien

Au Canada, pour assistance, installation ou service, composez le **1-800-807-6777** ou visitez notre site web à...

www.KitchenAid.ca

Table of Contents/Table des matières..... 2



TABLE OF CONTENTS

WASHER SAFETY	3
INSTALLATION REQUIREMENTS	4
Tools and Parts	4
Options	4
Location Requirements	4
Drain System	6
Electrical Requirements	6
INSTALLATION INSTRUCTIONS	7
Remove Decorative Mat	7
Attach Door Handle	7
Remove Transport System	7
Route the Drain Hose	7
Connect the Inlet Hoses	8
Secure the Drain Hose	8
Level the Washer	9
Complete Installation	9
FEATURES AND BENEFITS	10
WASHER USE	11
Starting Your Washer	11
Using the Proper Detergent	11
Using the Dispenser	12
Pausing or Restarting	14
Changing Cycles, Options and Modifiers	14
Status Display	14
Cycles	15
Normal Sounds	16
Options	16
Modifiers	17
Laundry Guide	18
LAUNDRY TIPS	19
Loading	19
WASHER CARE	20
Cleaning Your Washer	20
Water Inlet Hoses	21
Vacation, Storage, and Moving Care	21
TROUBLESHOOTING	22
Washer and Components	22
Washer Operation	23
Clothing Care	24
ASSISTANCE OR SERVICE	25
In the U.S.A.	25
In Canada	25
WARRANTY	26

TABLE DES MATIÈRES

SÉCURITÉ DE LA LAVEUSE	28
EXIGENCES D'INSTALLATION	29
Outillage et pièces	29
Options	29
Exigences d'emplacement	30
Système de vidange	31
Spécifications électriques	32
INSTRUCTIONS D'INSTALLATION	32
Retrait du revêtement décoratif	32
Fixation de la poignée de porte	32
Élimination des accessoires de transport	33
Acheminement du tuyau de vidange	33
Raccordement des tuyaux d'alimentation	33
Immobilisation du tuyau de vidange	34
Réglage de l'aplomb de la laveuse	34
Achever l'installation	35
CARACTÉRISTIQUES ET AVANTAGES	36
UTILISATION DE LA LAVEUSE	37
Mise en marche de la laveuse	37
Utilisation du détergent approprié	37
Utilisation du distributeur	38
Pause ou remise en marche	40
Changement des programmes, options et modificateurs	40
Témoins de l'état d'avancement	40
Programmes	41
Sons normaux	43
Options	43
Modificateurs	44
Guide de lessivage	45
CONSEILS DE LESSIVAGE	46
Chargement	46
ENTRETIEN DE LA LAVEUSE	47
Nettoyage de la laveuse	47
Tuyaux d'arrivée d'eau	48
Précautions à prendre avant les vacances, un entreposage ou un déménagement	48
DÉPANNAGE	50
La laveuse et ses composants	50
Fonctionnement de la laveuse	51
Soin des vêtements	53
ASSISTANCE OU SERVICE	54
Aux États-Unis	54
Au Canada	54
GARANTIE	55

WASHER SAFETY

Your safety and the safety of others are very important.

We have provided many important safety messages in this manual and on your appliance. Always read and obey all safety messages.



This is the safety alert symbol.

This symbol alerts you to potential hazards that can kill or hurt you and others.

All safety messages will follow the safety alert symbol and either the word "DANGER" or "WARNING."



All s:
happ

INSTALLATION REQUIREMENTS

Tools and Parts

Gather the required tools and parts before starting installation. The parts supplied are in the washer drum.

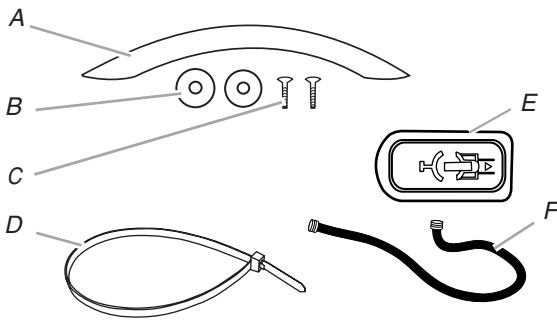
Tools needed for connecting the water inlet hoses

- Pliers that open to 1 $\frac{1}{16}$ " (3.95 cm)
- Flashlight (optional)

Tools needed for installation

- Adjustable or open end wrenches, 13 mm and $\frac{9}{16}$ " (14 mm)
- Ruler or measuring tape
- #3 Phillips screwdriver
- Wood block
- Level

Parts supplied



- A. Door handle
- B. Door handle washers (2)
- C. Door handle screws (2)
- D. Cable tie
- E. Transport bolt hole plug (4)
- F. Inlet hose (2)

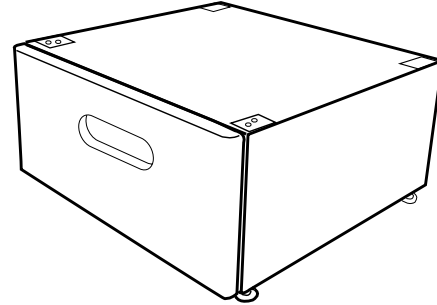
Alternate Parts

Your installation may require additional parts. If you are interested in purchasing one of the items listed here, call the toll-free number on the cover or in the "Assistance or Service" section.

If You Have	You Will Need to Buy
Laundry tub or standpipe taller than 96" (2.4 m)	Sump pump system (if not already available)
Overhead sewer	Standard 20 gal. (76 L), 30" (76.2 cm) tall drain tub or utility sink and sump pump (available from local plumbing suppliers)
Floor drain	Siphon break, Part Number 285834; additional drain hose Part Number 8318155; and connector kit, Part Number 285835
Drain hose too short	4 ft drain hose extension kit, Part Number 285863
Water faucets beyond reach of fill hoses	2 longer water fill hoses: 6 ft (1.8 m) Part Number 76314, 10 ft (3.0 m) Part Number 350008

Options

A pedestal may be purchased separately for this washer. This pedestal will add about 11" (27.9 cm) to the height of your washer for a total vertical height of approximately 53" (134.6 cm).



Optional pedestal

To order, call the dealer from whom you purchased your washer or refer to the "Assistance or Service" section of this manual. Ask for Model Number LAV2701RSS.

Location Requirements

Selecting the proper location for your washer improves performance and minimizes noise and possible washer "walk." Your washer can be installed under a custom counter, in a basement, laundry room, closet, or recessed area. See "Drain System."

IMPORTANT: Do not install or store the washer where it will be exposed to the weather.

Companion appliance location requirements should also be considered. Proper installation is your responsibility.

You will need

- A water heater set to deliver 120°F (49°C) water to the washer.
- A grounded electrical outlet located within 6 ft (1.8 m) of where the power cord is attached to the back of the washer. See "Electrical Requirements."
- Hot and cold water faucets located within 5 ft (1.5 m) of the hot and cold water fill valves, and water pressure of 20-100 psi (137.9-689.6 kPa).
- A level floor with a maximum slope of 1" (2.5 cm) under entire washer. Installing the washer on carpeting is not recommended.
- A sturdy floor to support the washer with a total weight (washer, water and load) of 550 lbs (249 kg).

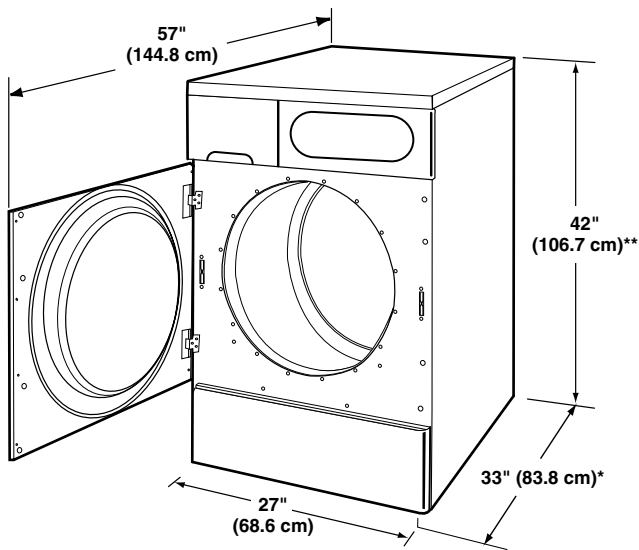
Do not operate your washer in temperatures below 32°F (0°C). Some water can remain in the washer and can cause damage in low temperatures. See "Washer Care" for winterizing information.

Installation spacing

The following spacing dimensions are recommended for this washer. This washer has been tested for installation with spacing of 0" (0 cm) clearance on the sides, front, rear, and top. Recommended spacing should be considered for the following reasons:

- The location must be large enough to allow the washer door to be fully opened.
- Additional spacing should be considered for ease of installation and servicing.
- Additional clearances might be required for wall, door, and floor moldings.
- Additional spacing of 1" (2.5 cm) on all sides of the washer is recommended to reduce noise transfer.
- Companion appliance spacing should also be considered.

Washer Dimensions



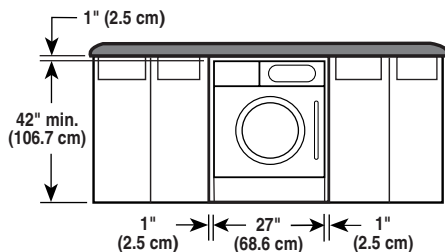
*Includes the door handle.

**Includes the feet extended 1" (2.5 cm). The optional decorative mat (included) will add approximately 1/2" (1.3 cm).

NOTE: Door is not reversible.

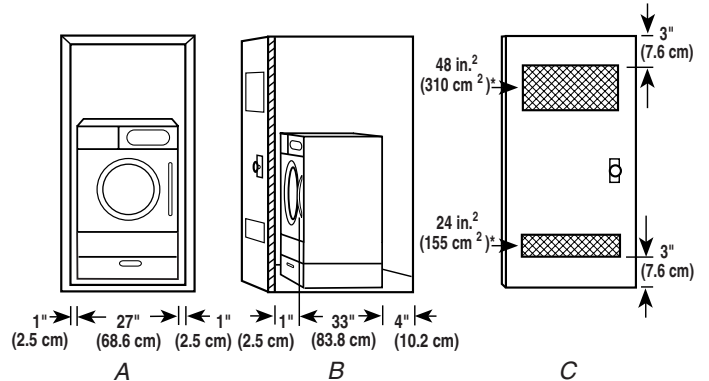
Recommended installation spacing for custom undercounter installation, washer only

- The dimensions shown are for a washer without the optional decorative mat placed on top.



Recommended installation spacing for recessed or closet installation, with or without a pedestal

- For closet installation with a door, minimum ventilation openings in the top and bottom of the door are required. Louvered doors with equivalent openings are acceptable.



A. Recessed area

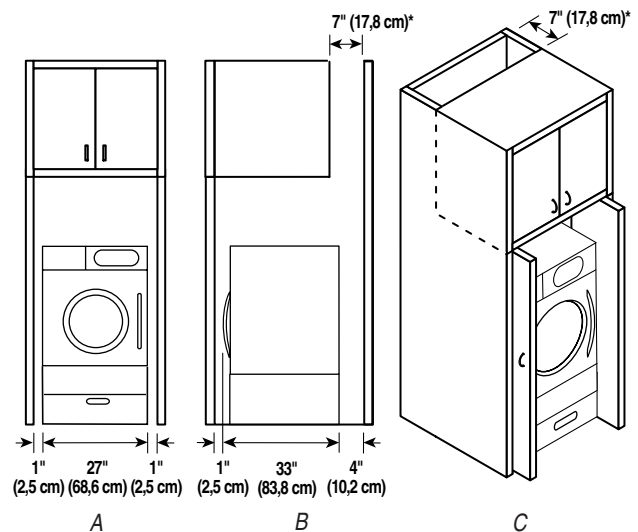
B. Side view - closet or confined area

C. Closet door with vents

*Required spacing

Recommended installation spacing for cabinet installation, with or without a pedestal

- For cabinet installation, with a door, the minimum ventilation openings in the top are required.



A. Front view

B. Side view

C. Cabinet with vents

*Required spacing

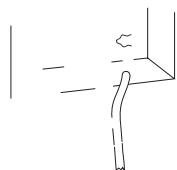
Drain System

The washer can be installed using the standpipe drain system (floor or wall), the laundry tub drain system, or the floor drain system. Select the drain hose installation method you need. See "Tools and Parts."

Standpipe drain system - wall or floor (views A & B)

The standpipe drain requires a minimum diameter standpipe of 2" (5 cm). The minimum carry-away capacity can be no less than 17 gal. (64 L) per minute.

The top of the standpipe must be at least 30" (76.2 cm) high and no higher than 96" (2.4 m) from the bottom of the washer.



Laundry tub drain system (view C)

The laundry tub needs a minimum 20 gal. (76 L) capacity. The top of the laundry tub must be at least 30" (76.2 cm) above the floor.

Floor drain system (view D)

The floor drain system requires a siphon break that may be purchased separately. See "Tools and Parts."

The siphon break must be a minimum of 28" (71 cm) from the bottom of the washer. Additional hoses might be needed.

Electrical Requirements

- Do not ground to a gas pipe.
 - Check with a qualified electrician if you are not sure the washer is properly grounded.
 - Do not have a fuse in the neutral or ground circuit.
-
- A 120 volt, 60 Hz., AC only, 15- or 20-amp, fused electrical supply is required. Time-delay fuse or circuit breaker is recommended. It is recommended that a separate circuit serving only this appliance be provided.
 - This washer is equipped with a power supply cord having a 3 prong grounding plug.
 - To minimize possible shock hazard, the cord must be plugged into a mating, 3 prong, grounding-type outlet, grounded in accordance with local codes and ordinances. If a mating outlet is not available, it is the personal responsibility and obligation of the customer to have the properly grounded outlet installed by a qualified electrician.
 - If codes permit and a separate ground wire is used, it is recommended that a qualified electrician determine that the ground path is adequate.

INSTALLATION INSTRUCTIONS

Remove Decorative Mat

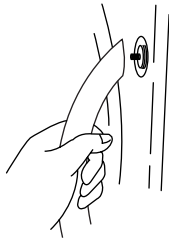
Remove the optional decorative mat (included) from the top of the washer and set aside.

Attach Door Handle

Remove parts package from washer drum. Check that all parts were included.

Attach Door Handle

1. Insert the 2 screws through the holes in the door.
2. Place the plastic washers onto the screws.
3. Attach the handle by hand tightening the screws, first the top then the bottom.



4. Push the handle against the door. Using a Phillips screwdriver, tighten the screws.

NOTE: Do not overtighten.

Remove Transport System

⚠ WARNING

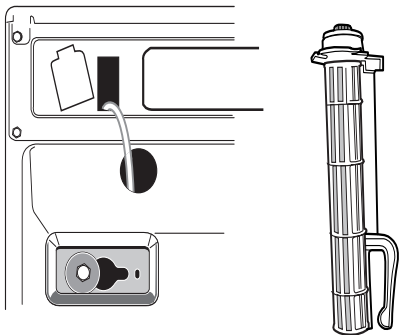
Excessive Weight Hazard

Use two or more people to move and install washer.

Failure to do so can result in back or other injury.

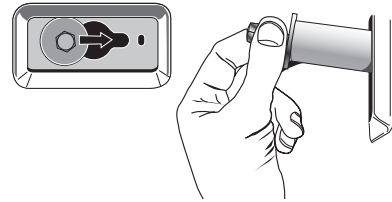
IMPORTANT: Position the washer so that the rear of the washer is within approximately 3 ft (90 cm) of its final location.

There are 4 bolts in the rear panel of the washer that support the suspension system during transportation. These bolts also retain the power cord inside the washer until the bolts are removed.



1. Using a 13 mm wrench, loosen each of the bolts.

2. Once the bolt is loose, move it to the center of the hole and completely pull out the bolt, including the plastic spacer covering the bolt. The power cord will be attached to all 4 bolts inside the washer.



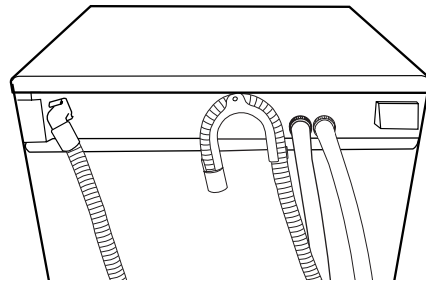
3. Once all 4 bolts are removed, discard the bolts and spacers. Then pull the power cord through the opening of the rear panel and close the hole with the attached cap.
4. Close the bolt holes with the 4 transport bolt hole plugs.

NOTE: If the washer is to be transported at a later date, call your local service center. To avoid suspension and structural damage, your machine must be properly prepared (transport system installed) for relocation, by a certified technician.

Route the Drain Hose

Proper routing of the drain hose helps avoid floor damage due to water leakage. Read and follow these instructions.

The drain hose is connected to your washer. Gently pull the corrugated drain hose from the shipping clips.



To keep drain water from going back into the washer:

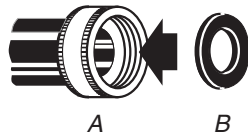
- Do not straighten the drain hose, and do not force excess drain hose into standpipe. Hose should be secure, but loose enough to provide a gap for air.
- Do not lay excess hose on the bottom of the laundry tub.

Floor drain

You may need additional parts. See Floor drain under "Tools and Parts."

Connect the Inlet Hoses

IMPORTANT: Verify that there are rubber washers installed in both ends of both of the inlet hoses. If one or more of the washers is missing, call the toll-free number on the cover or in the "Assistance of Service" section.

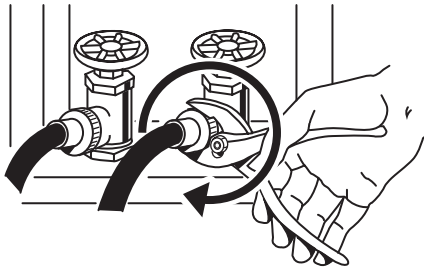


A. Coupling B. Washer

Connect the inlet hoses to the water faucets

Make sure the washer drum is empty.

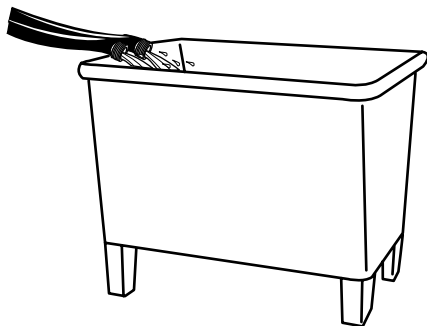
1. Attach the red inlet hose to the hot water faucet. Screw on coupling by hand until it is seated on the washer.
2. Attach the blue inlet hose to the cold water faucet. Screw on coupling by hand until it is seated on the washer.
3. Using pliers, tighten the couplings with an additional two-thirds turn.



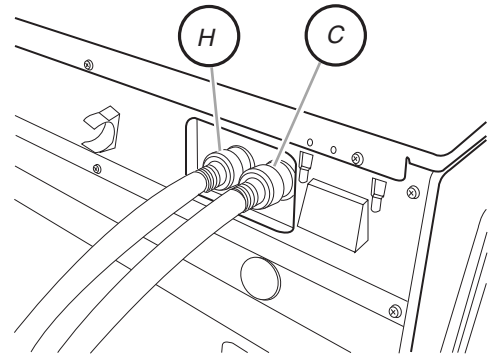
NOTE: Do not overtighten or use tape or sealants on the valve. Damage to the valves can result.

Clear the water lines

- Run water through both faucets and inlet hoses, into a laundry tub, drainpipe or bucket, to get rid of particles in the water lines that might clog the inlet valve screens.
- Check the temperature of the water to make sure that the hot water hose is connected to the hot water faucet and that the cold water hose is connected to the cold water faucet.



Connect the inlet hoses to the washer



H. Hot water inlet C. Cold water inlet

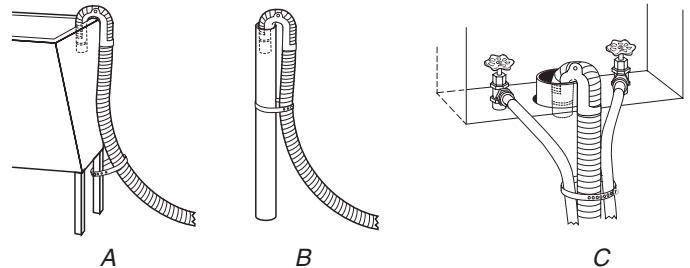
1. Attach the red water inlet hose to the washer's hot (H) water inlet valve. Screw on coupling by hand until it is seated on the washer.
2. Attach the blue water inlet hose to the washer's cold (C) water faucet. Screw on coupling by hand until it is seated on the washer.
3. Using pliers, tighten the couplings with an additional two-thirds turn.
4. Turn on the water faucets completely and check for leaks.

NOTE: Do not overtighten. Damage to the coupling can result.

NOTE: Replace original inlet hoses after 10 years of use to reduce the risk of hose failure. Record hose installation or replacement dates on the hoses for future reference. Periodically inspect and replace hoses if bulges, kinks, cuts, wear, or leaks are found.

Secure the Drain Hose

1. Drape the power cord over the washer top.
2. Secure the drain hose to the laundry tub leg or standpipe with the cable tie provided. See illustrations A and B.



If the washer faucets and the drain standpipe are recessed (see illustration C), put the hooked end of the drain hose in the standpipe. Tightly wrap the cable tie around the water inlet hoses and the drain hose.

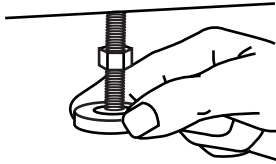
NOTES:

- Do not force excess drain hose back into the rear of the washer.
- Do not force excess drain hose into the standpipe.
- To avoid siphoning, do not seal the drain hose into the standpipe.

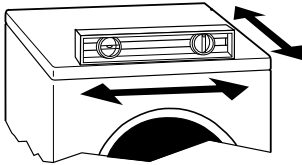
Level the Washer

One foot has been installed at a different height on your new washer. The other three feet were preset at the factory. Properly leveling your washer will minimize excessive noise and vibration.

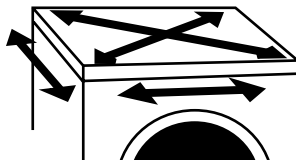
1. Using a $\frac{9}{16}$ " (14 mm) open-end wrench, verify that the nuts on the three preset feet are tightened against the cabinet.
2. Slide the washer to its final location.
3. Push on the upper front panel to be sure that the washer is on the rear feet. Lower the right front foot until it contacts the floor. By hand, firmly rotate the foot up to an additional $1\frac{1}{2}$ turns.



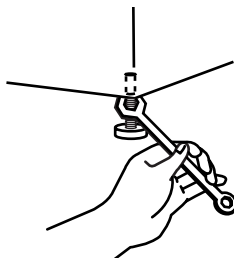
4. Check the levelness of the washer by placing a level on the top edge of the washer, first side to side, then front to back.



5. Rock washer gently front to back, side to side and diagonally to make sure that all four feet are in firm contact with the floor.



6. After the washer is level, use a $\frac{9}{16}$ " (14 mm) open-end wrench to turn the nuts on the feet tightly against the washer cabinet.



IMPORTANT: All four feet must be tightened. If the nuts are not tight against the washer cabinet, the washer may vibrate.

7. If the washer is not level, move the washer out slightly and first prop the front with a wood block and adjust the feet as necessary. Then prop the back and adjust feet as necessary. Repeat this step until the washer is level.

Complete Installation

1. Check the electrical requirements. Be sure that you have the correct electrical supply and the recommended grounding method. See "Electrical Requirements."
2. Check that all parts are now installed. If there is an extra part, go back through the steps to see which step was skipped.
3. Check that you have all of your tools.
4. Remove any protective film or tape remaining on the washer.
5. Set the optional decorative mat in place on top of the washer.
NOTE: Make sure the top of the washer and the bottom of the mat are clean.
6. Dispose of/recycle all packaging materials.
7. Check that the water faucets are on.
8. Check for leaks around faucets and inlet hoses.

9. Plug into a grounded 3 prong outlet.
10. Read "Washer Use."
11. To test and to clean your washer, measure $\frac{1}{2}$ the detergent manufacturer's recommended amount of HE High Efficiency detergent for a medium-size load. Pour the detergent into the detergent dispenser. Select NORMAL/CASUAL, and then select START. Allow the washer to complete one whole cycle.

FEATURES AND BENEFITS

Electronic Controls

Flexible electronic controls are easy to use whether you are a beginner or an expert.

Detergent Advantage System Dispenser

The four compartments in the dispenser allow loading of all laundry additives before the washer is started. The additives will be dispensed into the wash at the optimal time for high performance cleaning. Aimed bleach release is included in the detergent advantage system. The detergent is added at the beginning of the cycle and the bleach is added after the enzymes have had a chance to do their cleaning. The fabric softener is dispensed in the rinse cycle. The Detergent Advantage System Dispenser tray is easily removed for cleaning.

Auto Water Level

Adjusting to the size of the load, this feature allows the washer to use the minimal amount of water needed to clean and rinse the clothes. Because only the required amount of water is used, the washer saves energy, too.

Larger Load Size

Since there is no agitator, you can wash larger, bulkier items such as an average size sleeping bag. You are also able to wash more clothes at one time, which means fewer loads.

Suspension System

To reduce washer "walk" and "off-balance" conditions, your new washer combines:

- 2 Springs to isolate vibration
- 4 Shock absorbers at the washer base to minimize movement

Stainless Steel Drum

The Stainless Steel drum eliminates corrosion and enables higher spin speeds for more water extraction, reducing drying time.

Adaptive Variable Speed Motor

The motor adapts to the load size and to the cycle selected to give the optimum cleaning, rinsing, and spinning conditions. The motor can handle slow speeds needed for wool and delicate items, but it is powerful enough to handle a large clothes load.

High-Efficiency Wash System

Your new front-loading, high-efficiency washer saves time with fewer, larger loads, conserves resources and lowers your water and energy bills too.

Spin Speeds

This washer automatically selects the spin speed based on the cycle selected. This factory setting can be changed, however. This washer offers up to six different spin speed choices.

Thermal Optimizer

The heating system ensures that the wash water is heated to the preset temperature for Heavy Duty, White/Cotton, Sanitary, and the Soil Treat option. It also provides "stepped cleaning" when using the Sanitary cycle or the Soil Treat option. "Stepped cleaning" starts the wash cycle with warm water to remove stains (such as blood or grass). The water continues heating in order to remove stains such as dirty mechanical oil.

Add A Garment

When lighted, Rapid Wash, Normal/Casual, Heavy Duty, White/Cotton, and Sanitary can be paused and the door unlocked so you can add a garment that may have been forgotten when loading the washer. The ADD A GARMENT status message is displayed for up to the first 8 minutes of a cycle and then the LOCKED message will be displayed.

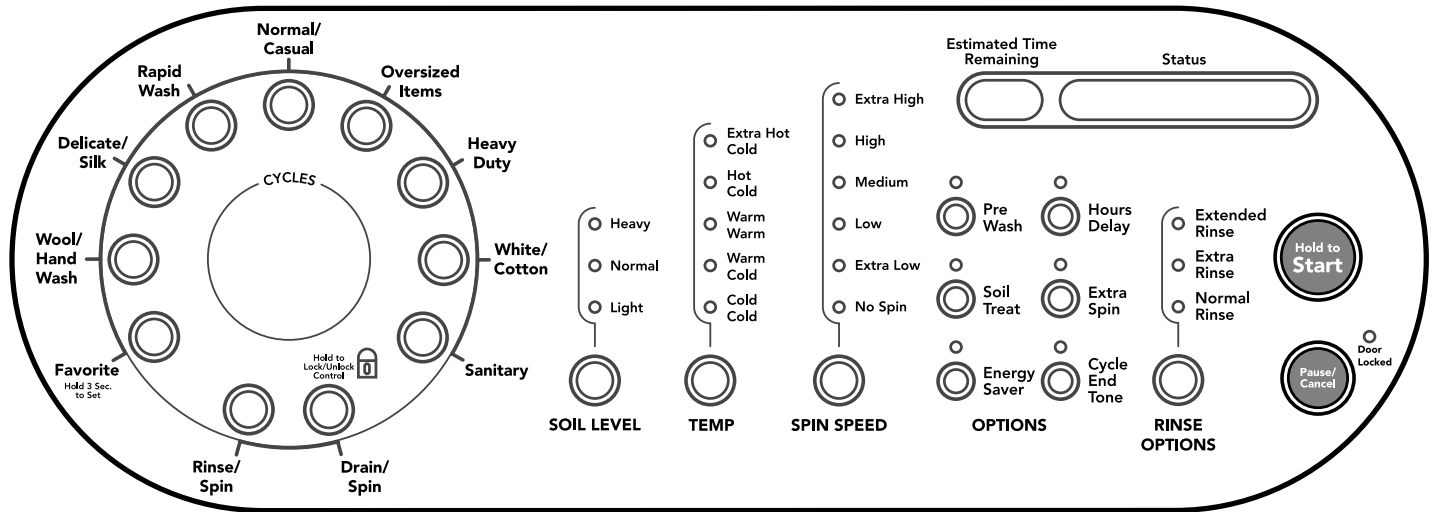
Direct Detergent Injection

A concentrated detergent solution is sprayed onto the clothes at the beginning of the cycle to ensure that the detergent comes into contact with the clothes as quickly as possible, removing stains from your clothes without pretreating.

Dynamic Off-Balance Detection

This washer uses two sensors to detect load size and the amount of off-balance within the load. The suspension system and controls are specially designed to redistribute the load automatically.

WASHER USE



Starting Your Washer

⚠ WARNING



Fire Hazard

Never place items in the washer that are dampened with gasoline or other flammable fluids.

No washer can completely remove oil.

Do not dry anything that has ever had any type of oil on it (including cooking oils).

Doing so can result in death, explosion, or fire.

WARNING: To reduce the risk of fire, electric shock, or injury to persons, read the IMPORTANT SAFETY INSTRUCTIONS before operating this appliance.

The following is a guide to using your washer. Please refer to specific sections of this manual for more detailed information.

Do not store laundry products on the top surface of this washer. Vibration is normal during operation.

Using the Proper Detergent

Use only High Efficiency detergents. The package for this type of detergent will be marked "HE" or "High Efficiency." This wash system, along with less water, will create too much sudsing with a regular non-HE detergent. Using regular detergent will likely result in washer errors, longer cycle times and reduced rinsing performance. It may also result in component failures and noticeable mold or mildew. HE detergents are made to produce the right amount of suds for the best performance. Follow the manufacturer's instructions to determine the amount of detergent to use.



Use only HE High Efficiency detergent.

First Wash Cycle Without Laundry

Before washing clothes for the first time, if not completed during the final installation step, choose the Normal/Casual cycle and run it without clothes. Use only HE High Efficiency detergent. Use ½ the manufacturer's recommended amount for a medium-sized load. This initial cycle serves to ensure the interior is clean before washing clothes.

For All Wash Cycles

1. To load washer

Open the washer door by pulling on the handle. Sort laundry according to color and type of fabric. Place a load of sorted clothes in the washer. Do not overload washer. Overloading can cause poor cleaning.

- The washer can be fully loaded, but not tightly packed. Washer door should close easily.
- Mix large and small items. Avoid washing a single item. Load evenly.
- Wash small items, such as infant socks, in mesh garment bags. It is recommended that more than one garment bag be used, and that each garment bag be filled with equal amounts of material.
- When unloading garments, occasionally check under the rubber rim at the front of the tub for small items.

2. Close the washer door by pushing it firmly until the lock clicks. The washer door will remain locked during the wash cycle.

NOTE: After any wash cycle is completed, the door must be opened and then closed before a new cycle can begin. The door can be opened only if PAUSE/CANCEL is selected while ADD A GARMENT shows in the status display or if the cycle has been canceled. See "To cancel a cycle" in "Changing, Cycles, Options and Modifiers" section.

3. Open the Dispenser Drawer and add laundry products to the detergent, bleach, or fabric softener compartments. Close drawer slowly to avoid spills. See "Using the Dispenser."

4. Turn on the washer by selecting one of the WASH CYCLES. The indicator light for the selected cycle will illuminate. When selecting a Wash Cycle, the preset options, Soil Level, Temp, Spin Speed for the selected cycle will illuminate. The display shows the estimated time remaining. The preset settings provide the recommended fabric care for the selected cycle. See "Cycles."

5. Select the desired Options. Not all Options are available with all cycles. See "Options."

6. Select the desired Modifiers (Soil Level, Temp, and Spin Speed). Not all Modifiers are available with all Cycles and Options. See "Modifiers."

7. If desired, select the CYCLE END TONE. The signal is helpful when you are washing items that should be removed from the washer as soon as it stops.

8. To begin the wash cycle immediately

Select START (for approximately 1 second).

- If you do not select START within 5 minutes of choosing a cycle, the washer automatically shuts off.
- When the wash cycle is complete, the CLOTHES CLEAN status message is displayed, the door unlocks, and the wash load can be removed from the washer. The washer powers down automatically 5 minutes after the cycle is complete and the CLOTHES CLEAN display goes off. To power down the washer manually after the wash cycle is complete, select PAUSE/CANCEL once.

9. To begin the wash cycle later

Select HOURS DELAY until the desired delay time (in hours) shows in the Estimated Time Remaining display. Select START. The countdown to the wash cycle will show in the Status display.

Using the Dispenser

Your new washer has a dispenser drawer with four separate compartments for your laundry products—two are for detergent, one is for liquid chlorine bleach, and one is for liquid fabric softener. Laundry products are diluted and dispensed automatically at the proper time during the wash cycle, making it unnecessary for you to return to the washer during the cycle to add them.

It is normal for small amounts of water to remain in the dispensers when the wash cycle is complete.

Do not put laundry additives directly into the wash tub, for example detergent boosters. Always use the proper dispensers when adding laundry products.

Choosing the Right Detergent

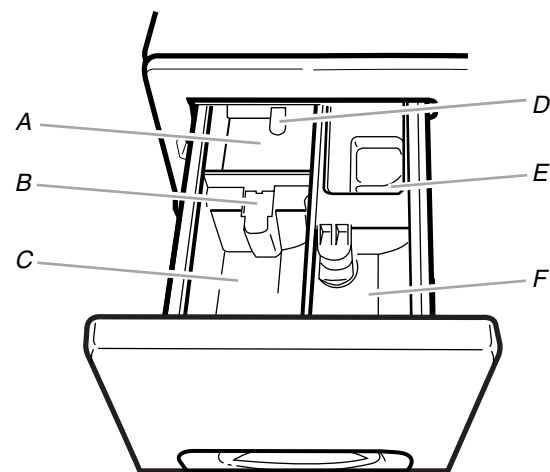
Use only High Efficiency detergents. The package for this type of detergent will be marked "HE" or "High Efficiency." This wash system, along with less water, will create too much sudsing with a regular non-HE detergent. Using regular detergent will likely result in washer errors, longer cycle times and reduced rinsing performance. It may also result in component failures and noticeable mold or mildew. HE detergents are made to produce the right amount of suds for the best performance. Follow the manufacturer's instructions to determine the amount of detergent to use.



Use only HE High Efficiency detergent.

To fill dispenser compartments

1. Pull out the dispenser drawer.
2. Add the desired laundry product to the proper compartment.
3. Push in the dispenser drawer slowly and completely (to avoid a spill).



Dispenser

- A. Prewash detergent compartment
- B. Separator
- C. Main Wash detergent compartment
- D. Dispenser release lever
- E. Chlorine bleach compartment
- F. Fabric softener compartment

Prewash detergent compartment

(Letter A in Dispenser Illustration)

Add detergent to this compartment when using the Pre Wash option. Liquid or powdered detergent may be used in this compartment. The detergent will automatically be dispensed during Pre Wash if the Pre Wash option is selected.

- Using High Efficiency (HE) detergent, add $\frac{1}{3}$ the recommended amount to the Prewash compartment and $\frac{2}{3}$ the recommended amount to the Main Wash compartment.
- Do not fill beyond the "MAX" level.

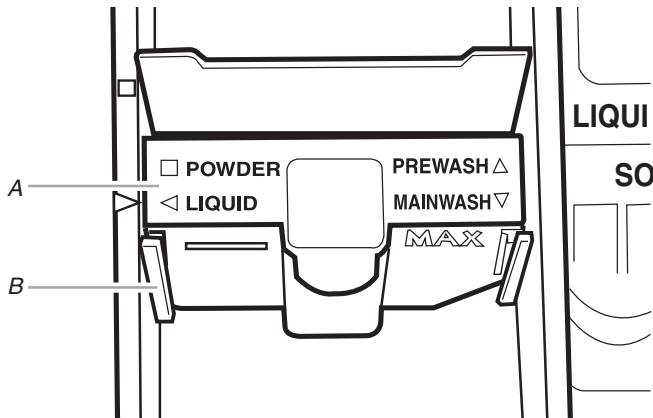
Main Wash detergent compartment

(Letter C in Dispenser Illustration)

Add liquid or powdered detergent to this compartment for your main wash cycle. The detergent separator must always be in place, either in the front or back position.

IMPORTANT: If you are using the Pre Wash, or Delay option, powdered detergent must be used in the main wash compartment since liquid detergents may seep out of the main wash compartment during the prewash, or delay before the main wash begins.

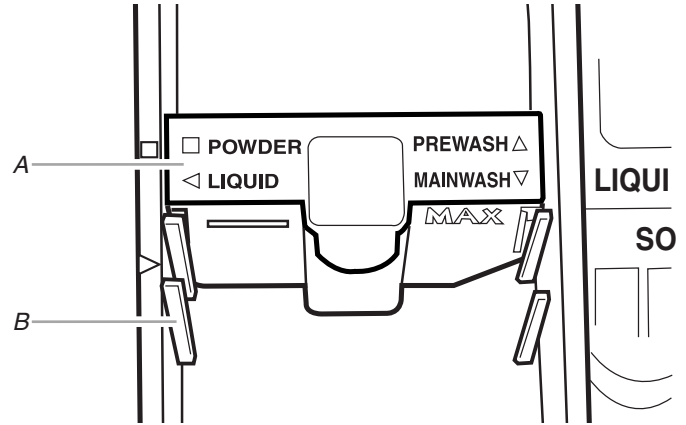
- Do not fill beyond the "MAX" level.
- Liquid or powdered color-safe bleach may be added to the Main Wash compartment along with the same type of detergent, liquid or powdered.
- Liquid detergent: Put the SEPARATOR in the front position, between the guides, as shown. There will be no gap between the bottom of the wash cycle detergent compartment and the bottom of the separator.



Separator in front position, between guides

A. Separator
B. Guide

- Powdered detergent: Put the SEPARATOR in the back position, behind the guides, as shown. There will be a gap between the bottom of the wash cycle detergent compartment and the bottom of the separator.



Separator in back position, behind guides

A. Separator
B. Guide

NOTE: The separator will be in the POWDER (back) position when shipped from the factory.

Chlorine bleach compartment

(Letter E in Dispenser Illustration)

Add no more than $\frac{1}{3}$ cup (80 mL) liquid chlorine bleach to this compartment. The bleach will be automatically diluted and dispensed at the optimum time during the first rinse after the wash cycle. This compartment cannot dilute powdered bleach.

- Always measure liquid chlorine bleach. Use a measuring cup with a pour spout; do not guess.
- Do not fill beyond the "MAX" level.

NOTE: Overfilling could cause garment damage.

Fabric Softener compartment

(Letter F in Dispenser Illustration)

Add no more than $\frac{1}{4}$ cup (60 mL) liquid fabric softener to this compartment. Fabric softener will be automatically dispensed in the final rinse.

- Do not fill beyond the "MAX" level.

Pausing or Restarting

1. To pause the washer at any time, select PAUSE/CANCEL.
 2. To continue the cycle, select and hold START (for approximately 1 second).
-

Changing Cycles, Options and Modifiers

You can change the Cycle before START is selected. You can change the factory default settings for the Modifiers (Soil Level, Temp, and Spin Speed) and Options anytime before START is selected and during the wash cycle.

NOTE: To help protect your garments, not all Options and Modifiers can be selected with all wash cycles.

Cycles, Options and Modifiers can be changed anytime before START is selected.

To cancel a cycle and select a new cycle

1. Select PAUSE/CANCEL twice.
 2. Select desired cycle.
 3. Select the desired Options.
 4. Select and hold START (for approximately 1 second) to restart the washer at the beginning of the new cycle.
-

To cancel a cycle

1. Select PAUSE/CANCEL twice.
2. The washer powers down, the door unlocks, and clothes can be removed.

NOTE: If the water level or the temperature is too high, the washer will drain automatically before the door unlocks.

To change Options or Modifiers after the cycle has started

1. Select PAUSE/CANCEL.
2. Select the desired Options or Modifiers.
3. Select and hold START (for approximately 1 second) to continue the cycle.

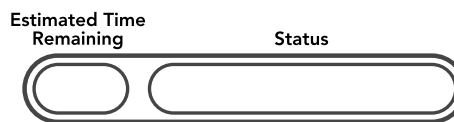
NOTE: Options and Modifiers can be changed anytime after START is selected and before the start of the selected Option or Modifier.

To drain the washer manually

1. Select PAUSE/CANCEL.
 2. Select DRAIN/SPIN.
 3. Select and hold START (for approximately 1 second) to begin the drain.
 4. When the spin is complete, the door unlocks. Items can be removed from the washer.
-

Status Display

Messages on the status display help you to follow the progress of your washer. They also indicate when you can add an additional item to the wash cycle and when the controls are locked.



Adding items

You can add items to the washer after the cycle has started for Rapid Wash, Normal/Casual, Heavy Duty, White/Cotton, and Sanitary if ADD A GARMENT message is displayed.

To add items

1. Select PAUSE/CANCEL. The washer door unlocks, and items can be added.
 2. To continue the cycle, close the door and select and hold START (for approximately 1 second).
-

Cycle Complete

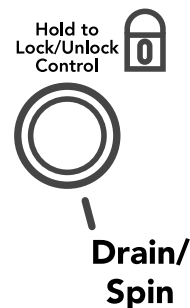
The CLOTHES CLEAN status message is displayed for 5 minutes after the cycle is complete. The washer will then power down.

Locking controls

The Control Lock avoids unintended use of the washer. You can also use the control lock feature to avoid unintended cycle or option changes during a cycle. When the locked icon appears in the display, all buttons are disabled except for Pause/Cancel and Start. You can lock the controls while the washer is operating.

To lock the controls

Select and hold DRAIN/SPIN for 3 seconds.



The CONTROL LOCK icon illuminates.

To unlock the controls

Select and hold DRAIN/SPIN for 3 seconds until the CONTROL LOCKED icon disappears.

Estimated Time Remaining

The cycle times vary automatically based on your water pressure, water temperature, detergent, and clothes load. The cycle time will be extended if oversudsing occurs or the load is unbalanced.

Cycles

on next to the
different types of

*The cycle time is based on water pressure, water temperature, detergent, and clothes load. The cycle time will be extended if oversudsing occurs or if the load is unbalanced.

Sanitary

Use this cycle to clean heavily soiled colorfast fabrics. This cycle combines a very hot water temperature and fast-speed tumbling to help ensure the removal of heavy soils and stains. It is recommended that you set your hot water heater to 120°F to ensure proper performance during this cycle. Extra high spin helps shorten drying time.

White/Cotton

This cycle is especially designed for cleaning white fabrics with the addition of bleach. High water temperatures assure optimal bleach performance and provides optimal rinse performance for your laundry. This cycle combines extra high spin wash time, and extra high spin.

Heavy Duty

Use this cycle to wash large, normal to heavily soiled loads. Fast-speed tumbling, long spin to shorten drying time. Wash at optimum temperature.

NOTE: Soil Treat is a default setting for performance, the water is heated gradually to assist in the removal of blood.

Oversized Items

Use this cycle to wash large items such as blankets and comforters. This cycle starts with a soak to thoroughly saturate your large load. This is followed by medium wash action and extra low spin speeds to maintain load balance.

- Each cycle has a preset Soil Level (cycle time), Water Temperature, Spin Speed and may have preset Options. The preset settings provide the recommended fabric care for the selected cycle.
- The preset settings can be changed anytime before START is selected. Not all Options and Modifiers are available with all Cycles. (To change settings after the cycle has started, select PAUSE/CANCEL, then select the desired settings. Select START [for approximately 1 second] to continue the cycle.)

Preset cycle settings

Each cycle has a preset Soil Level (cycle time), Water Temperature, and Spin Speed. The preset settings provide the recommended fabric care for the selected cycle. See chart.

Cycle	Estimated Time* (hr:min)	Soil Level	Wash/Rinse Temp	Spin Speed
Sanitary	(2:00)	Normal	Extra Hot/ Cold	Extra High
White/ Cotton	(1:10)	Heavy	Hot/ Cold	Extra High
Heavy Duty	(1:30)	Heavy	Hot/ Cold	Extra High
Oversized Items	(0:55)	Normal	Warm/ Cold	Extra Low
Normal/ Casual	(0:45)	Medium	Warm/ Cold	High
Rapid Wash	(0:35)	Light	Warm/ Cold	Extra High
Delicate/Silk	(0:35)	Normal	Cold/ Cold	No Spin
Wool/Hand Wash	(0:35)	Normal	Cold/ Cold	Extra Low

Normal/Casual

Use this cycle to wash loads of no-iron fabrics such as sport shirts, blouses, casual business clothes, permanent press blends, cottons and linens, and synthetic fabrics. This cycle combines medium-speed tumbling, high-speed spin, and a load cooling process to reduce wrinkling.

Rapid Wash

Use this cycle to wash small loads of 2-3 lightly soiled garments that are needed in a hurry. This cycle combines fast-speed tumbling, a shortened wash time, and extra high speed spin to shorten drying time.

Delicate/Silk

Use this cycle to clean washable silk and ultra delicate garments. (Check label instructions to make sure that garment is washable.) This cycle gently tumbles and drains without spinning to gently clean garments and minimize wrinkling. Garments will contain a higher amount of water at the end of this cycle, because there is no spinning action.

- Use mesh garment bags to wash undergarments such as underwire bras, items with strings, and small items such as socks.

Wool/Hand Wash

Use this cycle to clean washable woolen and special care garments. (Check label instructions to make sure that the garment is washable.) Similar to the way garments are hand washed in a sink, the wash action of this cycle combines periods of extra low tumbling speeds and soaking. Low spin speeds minimize wrinkling.

- Use mesh garment bags to wash undergarments such as underwire bras, items with strings, and small items such as socks.

Favorite

Favorite allows you to store a customized wash cycle for future use.

To customize a wash Cycle:

1. Select a cycle.
2. Select the desired OPTIONS.
3. Select the desired MODIFIERS (Soil Level, Temp, and Spin Seed).
4. To save the cycle, press and hold FAVORITE (approximately 3 seconds) or until a beep sounds and the letters "SET" are displayed on your machine.
5. Press START.
6. To reuse this cycle at another time, select FAVORITE and press START.

Rinse/Spin

Use this cycle to get a rinse and spin only. This cycle combines fast-speed tumbling and extra high speed spin. If desired, you can reduce the spin speed by selecting the speed you want from the SPIN SPEED modifier.

Rinse/Spin is useful for

- Loads that need rinsing only.
- Adding fabric softener to a load using the fabric softener dispenser.

Drain/Spin

Use this cycle to drain your washer or to drain and spin your wash load. The spin speed is preset to extra high. If desired, you can reduce the spin speed by selecting the speed you want from the SPIN SPEED modifier.

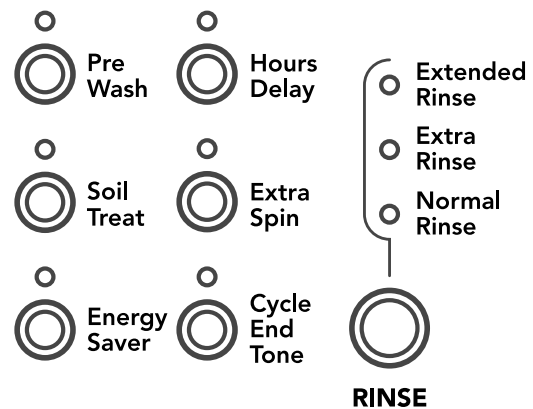
NOTE: Loads of synthetics, delicate fabrics, handwashables, and woolens should be drained with no spin or low spin to avoid fabric stress.

Normal Sounds

As with any new product, you will hear sounds that you are not accustomed to. You may hear various sounds when the door is locked or unlocked, and during the washing, rinsing, or spinning process. Between changes in wash actions, there will be momentary pauses. You will hear water spraying and splashing during the wash and rinse cycles. These new sounds and pauses are part of normal washer operation. See "Troubleshooting."

Options

You can customize your wash by adding Options to your cycle selections. You can add or change an option after starting a cycle anytime before the selected option begins. Not all Options are available with all cycles.



Options

- See the "Laundry Guide" section for an overview of possible options for each Cycle selection.
- You can select more than one option for a cycle. Some options cannot be added to some cycles, for example, Soil Treat cannot be added to the Rapid Wash cycle.
- If an option is available with a selected cycle, the light for that option will illuminate when selected.
- If an option is unavailable with a selected cycle, there will be a short tone and the light for that option will not illuminate when selected.

Prewash

Use this option for loads of heavily soiled items that need pretreatment. This option adds a 15 minute prewash and drain to the main wash cycle.

- Add detergent to the Prewash and Main Wash compartments of the Dispenser Drawer.
- When using Prewash, do not use liquid detergent in the Main Wash compartment. Use powdered detergent for the main wash cycle (see "Using the Dispenser").

Soil Treat

Use this option for heavily soiled loads that need improved soil treatment. When Soil Treat is selected, the water temperature of the selected wash cycle is automatically set to Hot/Cold. The water will then be gradually heated to a hot water temperature to aid in stain removal. This option will provide optimal removal of organic stains such as blood.

NOTE: If Soil Treat is selected with the Sanitary cycle, the water will be heated to an extra hot temperature.

Energy Saver

The Energy Saver option allows you to increase your energy savings on the higher temperature cycles (White/Cotton and Heavy Duty) while maintaining cleaning performance by lengthening the wash time by only 10 minutes.

NOTE: For the best energy performance, use the Normal/Casual Cycle.

Hours Delay

To begin the wash cycle later select Hours Delay until the desired delay time (in hours) shows in the Estimated Time Remaining display. Select START. The countdown to the wash cycle will show in the display window.

- When delaying a cycle, use only powdered detergents in the main wash compartment since liquid detergents may seep out of the compartment during Delay, before the wash cycle begins.

Extra Spin

Use this option to add an additional spin to any cycle.

Cycle End Tone

This signal is helpful when you are removing items from the washer as soon as it stops.

Normal Rinse

Consists of a two phase rinsing process that is effective for everyday laundry.

Extra Rinse

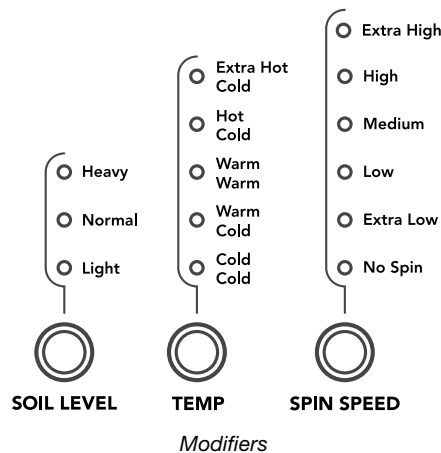
A second rinse can be used to ensure the removal of detergent or bleach residue from garments. This option provides an additional rinse with the same water temperature as the first rinse.

Extended Rinse

This option provides the best rinse level, to allow for even better detergent removal.

Modifiers

Preset cycle settings of water Temperature, Wash/Rinse, and Spin Speed can be changed. You can change a modifier after starting a cycle anytime before the selected Modifier begins. Not all Modifiers are available with all options and cycles.



- To change cycle time, select the SOIL LEVEL button until the desired setting illuminates.
- To change the water temperature, select the TEMP button until the desired setting illuminates.
- To change the spin speed, select the SPIN SPEED button until the desired setting illuminates.

Wash/Rinse Temp

Select a water temperature based on the type of load you are washing. Use the warmest water safe for fabrics. Follow garment label instructions.

Warm rinses leave the loads dryer than cold rinses. Warm rinses increase wrinkling. In cold climates, a warm rinse makes the load more comfortable to handle. Cold rinses save energy.

Temperature Guide

Wash Water Temperature	Suggested Fabrics
EXTRA HOT*	Sturdy colorfast fabrics Heavy soils
HOT*	Whites and pastels Heavy soils
WARM	Bright colors Moderate to light soils
COLD	Colors that bleed or fade Light soils

**When used with Soil Treat option, the water is heated gradually to assist in the removal of organic soils such as blood.*

In wash water temperatures colder than 60°F (15.6°C), detergents do not dissolve well. Soils may be difficult to remove.

SENSORSURE® Automatic Temperature Control

SENSORSURE® automatic temperature control electronically senses and maintains a uniform water temperature. SENSORSURE® automatic temperature control regulates incoming hot and cold water. The SENSORSURE® automatic temperature control is automatically turned ON when a cycle is selected. (See "Preset Cycle Settings" in "Cycles.")

- SENSORSURE® automatic temperature control works for the wash temperature with Extra Hot/Cold, Hot/Cold, Warm/Warm, Warm/Cold, and Cold/Cold settings.
- SENSORSURE® automatic temperature control works for the rinse temperature with the Warm/Warm setting.

Laundry Guide

Refer to this chart for suggested load types and their corresponding cycles. Listed to the right are the options available to each of these washer cycles.

CYCLE	SUGGESTED LOAD TYPE	AVAILABLE OPTIONS						
		Pre Wash	Soil Treat	Energy Saver	Hours Delay	Extra Spin	Extend Rinse	Extra Rinse
Sanitary	Heavily soiled underwear, towels, work clothes, diapers, etc.	✓	✓		✓	✓	✓	✓
White/Cotton	Heavily soiled whites made of cotton or cotton blends	✓	✓	✓	✓	✓	✓	✓
Heavy Duty	Moderately soiled work clothes, underwear, towels, and denims, made of sturdy fabrics	✓	✓	✓	✓	✓	✓	✓
Oversized Items	Normally soiled blankets, comforters, pillows, bulky jackets, etc				✓		✓	✓
Normal/Casual	Lightly to normally soiled blouses, shirts, pants, polos, made of cotton, polyester, linen, and cotton blends	✓	✓		✓	✓	✓	✓
Rapid Wash	Lightly soiled casual wear or sportswear made of cotton, polyester, nylon or cotton blends				✓	✓	✓	✓
Delicate/Silk	Machine washable silks and delicates such as dresses, blouses, skirts, slacks and curtains				✓		✓	✓
Wool/Hand Wash	Machine washable woolens and machine washable special care items such as sweaters, knits and dresses				✓		✓	
Rinse/Spin	All load types				✓	✓	✓	✓
Drain/Spin	All load types				✓	✓		

LAUNDRY TIPS

Preparing clothes for washing

Follow these recommendations to help you prolong the life of your garments.

- Use only High Efficiency detergents. The package for this type of detergent will be marked "HE" or "High Efficiency." This wash system, along with less water, will create too much sudsing with a regular non-HE detergent. Using regular detergent will likely result in washer errors, longer cycle times and reduced rinsing performance. It may also result in component failures and noticeable mold or mildew. HE detergents are made to produce the right amount of suds for the best performance. Follow the manufacturer's instructions to determine the amount of detergent to use.



Use only HE High Efficiency detergent.

- Close zippers, snaps, and hooks to avoid snagging other items. Remove pins, buckles, and other hard objects to avoid scratching the washer interior. Remove non-washable trim and ornaments.
- Empty pockets and turn them inside-out.
- Turn down cuffs; brush away lint and dirt.
- Turn synthetic knits inside-out to avoid pilling.
- Tie strings and sashes so they will not tangle.
- Mend tears, loose hems, and seams.
- Treat spots and stains.
- Stained or wet garments should be washed promptly for best results.
- Mix large and small items, avoid washing single items, and load evenly.
- Wash small items, such as infant socks, in a mesh garment bags. To create a balanced load it is recommended that more than one garment bag be used, and that each garment bag be filled with equal amounts of material.

NOTE: If you are washing only small items, it is recommended that more than one mesh garment bag be used, and that each garment bag be filled with equal amounts of material.

Sorting

- Separate heavily soiled items from lightly soiled ones, even if they would normally be washed together. Separate lint-givers (towels, chenille) from lint-takers (corduroy, synthetics, permanent press). When possible, turn lint-givers inside-out.
- Separate dark colors from light colors, colorfast items from noncolorfast items.
- Sort by fabric and construction (sturdy cottons, knits, delicate items).

Unloading

- Remove clothes from washer after the cycle is completed. Metal objects such as zippers, snaps, and buckles may rust if left in the washer basket for a long time.
- When unloading garments, occasionally check under the rubber rim at the front of the tub for small items.

Loading

Loading suggestions (maximum size loads).

Heavy Work Clothes

4 jeans	2 sweatpants
4 workpants	2 sweatshirts
4 workshirts	

Towels

10 bath towels	14 washcloths
10 hand towels	

Mixed Load

3 sheets (1 king, 2 twin)	9 T-shirts
4 pillowcases	9 shorts
3 shirts	10 handkerchiefs
3 blouses	

Rapid Wash cycle

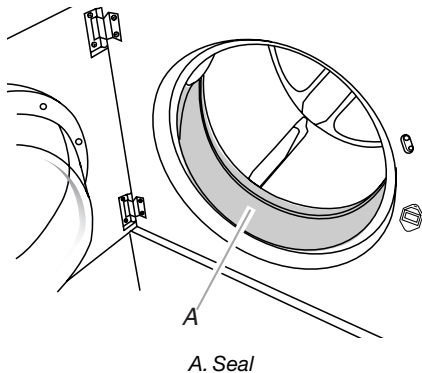
2 dress shirts	1 pair dress pants
----------------	--------------------

WASHER CARE

Cleaning Your Washer

Cleaning the door seal

1. Open the washer door and remove any clothing or items from the washer.
2. Inspect the gray colored seal between the door opening and the basket for stained areas. Pull back the seal to inspect areas under the seal.



3. If stained areas are found, wipe down these areas of the seal, using the procedure that follows.
 - a) Mix a dilute solution, using $\frac{3}{4}$ cup (177.4 mL) of liquid chlorine bleach, and 1 gal. (3.8 L) of warm tap water.
 - b) Wipe the seal area with the dilute solution, using a damp cloth.
 - c) Let stand 5 minutes.
 - d) Wipe down area thoroughly with a dry cloth and let the washer interior air dry.

IMPORTANT:

- Wear rubber gloves when cleaning for prolonged periods.
- Refer to the bleach manufacturer's instructions for proper use.

Washer Monthly Maintenance Procedure

Your washer has a special cycle stored within the machine's programming. Pressing a specific combination of buttons will enter this cleaning cycle. This cycle uses higher water volumes in combination with liquid chlorine bleach to thoroughly clean the inside of your washing machine.

NOTES:

- Read these instructions completely before beginning the cleaning process.
- If necessary, the cleaning cycle may be interrupted by pressing the PAUSE/CANCEL button. However, this will not immediately stop the cycle. The machine will display "int" (interrupt) and continue with several rinse and drain steps to ensure that all remaining bleach is rinsed from the washer.

Begin procedure

1. Open the washer door and remove any clothing or items from the washer.
2. Be sure the door is closed.
3. Open the dispenser drawer and remove the detergent divider from the Main Wash detergent compartment. See "Using the Dispenser" for instructions. No laundry products will be added at this time; you will be required to add only liquid chlorine bleach, at a later step.

4. Be sure the dispenser drawer is closed.
5. To enter the cycle, a specific combination of buttons must be pressed.
 - Select the RINSE/SPIN button.
 - Select LOW Spin Speed.
 - Select WARM/COLD Water Temperature.
 - Select the EXTRA RINSE, Rinse Option.
 - Push the CYCLE END TONE button 4 times within 5 seconds to start the cycle. The door will lock, and filling will begin.

NOTE: The water in the washer will dispense for a moment, then the door will unlock, lock again, and then the cycle will continue.

- The machine will fill and run a short sensing cycle. This will take approximately 3 minutes.
6. The washer will provide 4 short tones. Check the Estimated Time Remaining display for the codes indicated below.
 - a) If the washer displays the letters "Ab" (Add Bleach) in the Estimated Time Remaining display, you will hear 4 short tones. Proceed to Step 6.
 - b) If the washer displays the letters "rL" (Remove Load) in the Estimated Time Remaining display, an error tone will sound. The door will unlock.
 - Open the door and remove the items from the washer.
 - Continue the cycle by pressing the START button.

NOTE: The water in the washer will dispense for a moment, then the door will unlock, lock again, and then the cycle will continue with another check for items in the washer.

 - The machine will fill and run a short cycle to determine whether any items have been left in the washer. This will take approximately 3 minutes.
 - The washer will repeat Step 5 until it can determine that there are no items in the washer and will display "Ab" (Add Bleach).

7. Add liquid chlorine bleach.
 - a) If using the maintenance procedure for the first time, open the dispenser drawer and immediately add 1 cup (236.6 mL) liquid chlorine bleach to the Main Wash detergent compartment. The liquid chlorine bleach should immediately flow out of the dispenser.
 - b) For subsequent monthly maintenance procedures, open the dispenser drawer and immediately add $\frac{1}{3}$ cup (78.8 mL) liquid chlorine bleach to the Main Wash detergent compartment. The liquid chlorine bleach should immediately flow out of the dispenser.

NOTES:

- Water will be flowing into the dispenser drawer when the bleach is added. This is normal.
- Do not add any detergent to this cleaning cycle. Use of more than 1 cup (236.6 mL) of bleach will cause product damage over time.

8. Once the cleaning cycle has begun, allow the cycle to complete. An estimated cycle time will appear on the display.
9. After the cleaning cycle is complete, leave the door open, slightly, to allow for better ventilation and drying of washer interior.
10. Replace the detergent compartment divider.

Always do the following to maintain washer freshness

- Use only HE High Efficiency detergent.
- Leave the door slightly open after each cycle to allow for better ventilation and drying of washer interior.
- Run the monthly maintenance procedure using 1/3 cup (78.8 mL) of liquid chlorine bleach.
- If the procedure does not sufficiently improve the machine freshness, evaluate your installation and usage conditions for other causes.

Cleaning the exterior

To avoid damaging the exterior finish, do not use soap-filled scouring pads, abrasive cleaners, steel-wool pads, gritty washcloths or some paper towels on stainless steel surfaces.

- To clean the stainless steel surfaces of the washer, use a stainless steel cleaner. Rub in the direction of the grain.
- To clean the optional decorative mat, remove it from the top of the washer and clean both sides with an all-purpose cleaner. Rinse with water and dry with a soft lint-free cloth. Place it back on top of the washer.

Cleaning the dispenser drawer

The dispenser drawer is removable for easy cleaning.

1. Unlock the dispenser drawer by pressing the Release Lever in the Prewash compartment. See "Using the Dispenser." Remove the drawer.
2. Remove the inserts (the siphon from the softener and bleach compartments and the separator).
3. Wash the parts under running water.
4. Replace the inserts and return the dispenser to the drawer.

Water Inlet Hoses

Replace original inlet hoses after 10 years of use to reduce the risk of hose failure. Periodically inspect and replace inlet hoses if bulges, kinks, cuts, wear or leaks are found.

When replacing your inlet hoses, record the date of replacement.

Vacation, Storage, and Moving Care

Install and store your washer where it will not freeze. Because some water may stay in the hoses, freezing can damage your washer. If storing or moving your washer during freezing weather, winterize it.

Non-use or vacation care:

Operate your washer only when you are at home. If you will be on vacation or not using your washer for an extended period of time, you should:

- Unplug washer or disconnect power.
- Turn off the water supply to the washer. This helps avoid accidental flooding (due to a water pressure surge) while you are away.
- Slightly open door to provide ventilation.

To winterize washer:

1. Put 1 qt (1 L) of R.V.-type antifreeze in the drum.
2. Run washer on a DRAIN/SPIN cycle.
3. Unplug washer or disconnect power.
4. Shut off both water faucets.
5. Disconnect water inlet hoses from faucets and drain.

To use washer again:

1. Flush water pipes.
2. Reconnect water inlet hoses to faucets.
3. Turn on both water faucets.

⚠ WARNING



Electrical Shock Hazard

Plug into a grounded 3 prong outlet.

Do not remove ground prong.

Do not use an adapter.

Do not use an extension cord.

Failure to follow these instructions can result in death, fire, or electrical shock.

4. Plug in washer or reconnect power.
5. Run the washer through the NORMAL/CASUAL cycle with 1/2 the manufacturer's recommended amount of HE detergent for a medium-size load, to clean the washer and remove the antifreeze, if used.

To transport the washer:

1. If washer will be moved during freezing weather, put in 1 qt (1 L) of R.V.-type antifreeze in the drum. Run washer on a DRAIN/SPIN cycle.
2. Unplug the power cord.
3. Disconnect the drain hose from the drain system and attach to rear panel clips.
4. Shut off both water faucets.
5. Disconnect the water inlet hoses from faucets, then drain the hoses and clip them to the rear panel of the washer.
6. **IMPORTANT:** Call service. Do not reuse transport bolts. Washer must be transported in the upright position. To avoid suspension and structural damage, your machine must be properly set up for relocation by a certified technician.

Reinstalling the washer

1. Follow the "Installation Instructions" to locate, level and connect the washer.
2. Run the washer through the NORMAL/CASUAL cycle with 1/2 the manufacturer's recommended amount of HE detergent for a medium-size load, to clean the washer and remove the antifreeze, if used.

TROUBLESHOOTING

First try the solutions suggested here to possibly avoid the cost of a service call...

Washer and Components

Error codes

■ “FH” (Water Inlet Problem—no water or insufficient water supply)

Select PAUSE/CANCEL twice to cancel the cycle. Unplug washer or disconnect power.

Check the following:

- Are water faucets turned on completely?
- Are screens at inlet hose connection to washer clogged?
- Are water inlet hoses kinked?
- Are water inlet hoses frozen?

Plug in washer or reconnect power. Re-select cycle and press START. If the problem remains, call for service.

■ “F02” (Drain Problem)

Select PAUSE/CANCEL twice to cancel the cycle. Unplug washer or disconnect power.

Check the following:

- Is the drain hose kinked?
- Is the drain hose frozen?
- Is the drain hose clogged?
- Is the drain hose more than 96" (2.4 m) above the floor?

■ “SUD” (Suds Routine)

When excessive suds are detected, a suds routine automatically starts. This routine removes extra suds and assures proper rinsing of your garments. “SUD” is displayed during rinsing and at the end of the cycle to inform you that Suds Routine was activated. Use only HE (High Efficiency) detergents.

■ “F” Variables [F4 to F16] (Electrical Problem)

Select PAUSE/CANCEL twice to cancel the cycle. Select DRAIN/SPIN if there is excessive water in the washer.

Re-select cycle and press START. If the problem remains, call for service.

Noisy, vibrating, off-balance

■ Is the washer level and are all four feet in firm contact with the floor?

The washer must be level. The four feet should be properly installed, and the nuts should be tightened against the washer cabinet. See “Level the Washer.”

■ Washer making a different noise?

As with any new product, you will hear sounds that you are not accustomed to. You may hear various sounds when the door is locked or unlocked, and during the washing, rinsing, or spinning process. Between changes in wash actions, there will be momentary pauses. You will hear water spraying and splashing during the wash and rinse cycles. These new sounds and pauses are part of normal washer operation.

■ Is washer installed on a sturdy and solid floor?

Refer to the “Installation Instructions” for flooring requirements. Noise and vibration may be reduced by placing a piece of ¾" (19.1 mm) plywood underneath your washer. The plywood may extend underneath both washer and dryer to keep them at equal heights.

■ Is the washer gurgling or humming?

As water is drained from the washer, you may hear air being pulled through the pump. This happens during the end of draining. It is normal.

■ Are you washing items with metal snaps, buckles or zippers?

You may hear metal items touching the washer drum. This is normal.

■ Were the 4 shipping bolts in the back of the machine removed?

See “Remove Transport System.”

Leaking

■ Was the door opened during “Add a garment”?

Water can drip off the inside of the door, when the door is opened after the start of a cycle.

■ Is HE detergent being used?

The non-High Efficiency detergents can cause oversudsing which can leak from the rear of the washer.

■ Are the fill hoses tight?

■ Are the fill hose rubber washers properly seated?

Check both ends of each hose. See “Connect the Inlet Hoses.”

■ Is the drain hose properly installed?

The drain hose should be secured to the drainpipe or laundry tub. See “Secure the Drain Hose.”

■ Is the sink or drain clogged?

Sink and drainpipe must be able to carry away 17 gal. (64 L) of water per minute. If clogged or slow, water can back up out of drainpipe or sink. Check household plumbing (laundry tubs, faucets, drainpipe, water pipes) for leaks.

Dispenser operation

- **Are the laundry additives in the correct dispenser compartment?**
Add the correct amounts of detergent, fabric softener or liquid chlorine bleach to the correct compartments. Add powdered or liquid color-safe bleach to the Main Wash compartment. Be sure to match powdered color-safe bleach with powdered detergent or match liquid color-safe bleach with liquid detergent.
- **Is the detergent separator in the correct position?**
Separator should be in the front position when using liquid detergent and in the back position when using powdered detergent.
- **Did you follow the manufacturer's directions when adding detergent and fabric softener to the dispensers?**
Measure detergent and fabric softener. Slowly pour into the dispensers. Wipe up all spills. Dilute fabric softener in the fabric softener dispenser.
- **Is the fabric softener dispenser clogged?**
Clean the fabric softener dispenser. See "Washer Care" for details.
- **Is there water in the dispenser at the end of the cycle?**
A small amount of water will remain in the dispenser compartment. This is normal.

Washer odor

- **Have you run the Clean Washer Cycle lately?**
To freshen your washer and to avoid odors, see "Cleaning Your Washer."
- **Are you using HE detergent?**
Use of non-HE detergent can cause a film residue which can result in odor.
- **Did you leave the door open after use?**
This washer has a tight seal to avoid water leaks. To avoid odors leave the door open to allow the washer to dry between uses.

Door won't unlock

- **Did all of the water drain out of the washer during the spin?**
Select DRAIN/SPIN to remove any water remaining in the washer. The washer door will unlock at the end of the drain.
- **Is the door locked and is the "Add a garment" light on?**
Press PAUSE/CANCEL once. The door will unlock.

Washer Operation

Washer won't run, fill, rinse or tumble; washer stops

- **Is the power cord plugged into a grounded 3 prong outlet?**
Plug power cord into a grounded 3 prong outlet.
- **Are you using an extension cord?**
Do not use an extension cord.
- **Has a household fuse blown, or has a circuit breaker tripped?**
Replace the fuse, or reset the circuit breaker. If the problem continues, call an electrician.
- **Are both the hot and cold water faucets turned on?**
Turn on the water.

- **Is the water inlet hose kinked?**
Straighten the hoses.
- **Are the water inlet valve screens clogged?**
Turn off the water and remove inlet hoses from the washer. Remove any accumulated film or particles. Reinstall hoses, turn on water and check for leaks.
- **Is the washer in a normal pause in the cycle?**
The washer pauses for about 2 minutes during certain cycles. Allow the cycle to continue. Some cycles feature periods of tumbling and soak.
- **Is the washer overloaded?**
Wash smaller loads.
- **Is the washer door firmly shut?**
The door must be closed during operation.
- **Are the shipping bolts removed?**
All four shipping bolts must be removed for proper operation of the washer.
- **Has a cycle been selected, but START has not been selected and held for 1 second?**
Press and hold START, for 1 second.
- **Was the door open after completion of last cycle?**
The door must be opened and closed again to start a new cycle.

Washer continues to fill or drain, drain cycle seems stuck

- **Is the top of drain hose lower than 30" (76 cm) on washer?**
The top of the drain hose must be at least 30" (76 cm) above the floor. See "Drain System."
- **Does the drain hose fit too tightly in the standpipe, or is it taped to the standpipe?**
The drain hose should be loose yet fit securely. Do not seal the drain hose with tape. The hose needs an air gap. See "Secure the Drain Hose."

Washer won't drain or spin, water remains in washer

- **Is the drain hose clogged, or the end of the drain hose more than 96" (2.4 m) above the floor?**
- **Is your voltage low?**
Check electrical source or call electrician.
- **Excessive suds?**
When excessive suds are detected, a special suds routine automatically starts. Cycle will complete once extra suds are removed. This will occur more frequently when a non-HE detergent is used.
- **Is the load balanced?**
A single or bulky item may cause imbalance. Add more items or redistribute the load.

Not enough water/Not enough suds

- **Low water?**
This washer uses very little water to provide good cleaning results. You will see little or no water splashing in this washer. This is normal.
- **Are you using HE detergent?**
HE detergent is a low sudsing detergent. This is normal and will not affect cleaning performance.

Wash/Rinse temperature

- **Are the hot and cold water inlet hoses reversed?**
See "Connect the Inlet Hoses."
- **Are you washing many loads?**
As your frequency of loads washed increases, the water temperature may decrease for hot and warm temperatures. This is normal.

Cycle time changes/Cycle too long

- **Estimated cycle time?**
The cycle times vary automatically based on your water pressure, water temperature, detergent, and clothes load. The cycle time will be extended if oversudsing occurs or the load is unbalanced. The options you select will also affect the cycle times that are shown in the Preset Cycle Settings table.
- **Excessive suds?**
When excessive suds are detected, a special SUDs routine is started automatically, to remove the extra suds, and assure proper rinsing of your garments. This routine will add time to the original cycle.
- **Did the load cause imbalance?**
When too much imbalance occurs, an imbalance routine will start to redistribute the load. During the imbalance routine the time displayed may pause until this activity is complete, then resume with the remainder of the cycle.
- **Did you choose the Sanitary cycle or Soil Treat option?**
In both cases the heater will be activated to provide maximum cleaning performance. Additional time will be added to the regular cycle to heat the water. This additional time will depend on the load size and the hot water inlet temperature.
- **Are you washing a single item or bulky load?**
Spin time is added if an unbalanced load is detected. The washer will attempt to redistribute the load with additional tumbling.
- **Did you wash a large load on the Rapid Wash cycle?**
The Rapid Wash cycle is designed for smaller load sizes (2-3 items) of lightly soiled garments. If larger loads are washed in this cycle, wash time will be increased.
- **Did you wash a large load in a gentle or Delicate/Hand Wash cycle?**
When using the Quick Wash, Delicate/Silk or Wool/Hand Wash cycles, you should use small loads. This ensures a gentle wash for your garments without increasing cycle times.

Clothing Care

Load too wet

- **Did you use the right cycle for the load being washed?**
Select a cycle with a higher spin speed.
- **Did you wash a single item or bulky items or have you overloaded the washer?**
A single item, bulky items, or overloading may cause imbalance. Add items or try to evenly distribute your wet laundry in the drum, and start a DRAIN/SPIN cycle. If the laundry is still wet, take half of the load out of the washer and try again.
- **Did you use HE detergent?**
Suds during rinse and spin cycles can reduce spin speed. Use HE detergent.

Residue, lint, stains on load; gray whites, dingy colors

- **Did you add detergent to the dispenser?**
For best results, add detergent to the detergent compartment. Do not add detergent to the washer drum.
- **Did you sort properly?**
Sort lint givers (towels, chenille) from lint takers (corduroy, synthetics). Dye transfer can occur when mixing whites and colors in a load. Sort dark clothes from whites and lights.
- **Did you overload the washer?**
Do not overload the washer. The washer can be fully loaded, but not tightly packed. The wash load must be balanced. Lint can be trapped in the load if overloaded.
- **Check the following:**
Was paper or tissue left in pockets?
- **Did you use enough HE detergent?**
Follow manufacturer's recommendations for the type of load you are washing. For best performance, use only High Efficiency detergent. Use enough HE detergent to remove soil and hold it in suspension.
- **Do you have hard water?**
Use more detergent for washing heavy soils in cold or hard water.
- **Is your water colder than 60°F (15.6°C)?**
Wash water colder than 60°F (15.6°C) may not completely dissolve the detergent. Use hot or warm washes if safe for the fabric load. Make sure your hot water system is adequate to provide a hot water wash.
- **Are you using a low speed wash cycle?**
Powdered detergents may not dissolve well in a low-speed cycle. For best results, use liquid detergent for low speed cycles like Delicate/Silk or Wool/Hand Wash.
- **Did you unload the washer promptly?**
To avoid dye transfer, unload the washer as soon as it stops.
- **Did you use a fabric softener dispensing ball?**
Dispensing balls will not operate correctly with this washer. Add liquid fabric softener to the fabric softener compartment.
- **Did you use powdered detergent in a low-speed cycle?**
Consider using liquid detergent.
- **Did you use Rapid Wash on a large load?**
For best results, use Rapid Wash for small, lightly soiled loads.

Stains on load

- **Did you add detergent to the dispenser?**
For best results, add detergent to the detergent compartment. Do not add detergent to the washer drum.
- **Did you use enough HE detergent?**
Use enough detergent to remove soil and hold it in suspension. Use only HE detergent. Follow the manufacturer's instructions to determine the amount of detergent to use.
- **Is there above average iron (rust) in water?**
You may need to install an iron filter.
- **Did you properly sort the load?**
Sort dark clothes from whites and lights.

Load is wrinkled

- **Did you unload the washer promptly?**
Unload the washer as soon as it stops.
- **Did you use the right cycle for the load being washed?**
Use the Delicate/Silk cycle or another cycle with a low spin speed to reduce wrinkling.
- **Did you overload the washer?**
The wash load must be balanced and not overloaded. Loads should tumble freely during washing.
- **Was the wash water warm enough to relax wrinkles?**
If safe for load, use warm or hot wash water.
- **Are the hot and cold water hoses reversed?**
Check that the hot and cold water hoses are connected to the right faucets. A hot rinse followed by spin will cause wrinkling. See "Connect the Inlet Hoses."

ASSISTANCE OR SERVICE

Before calling for assistance or service, please check "Troubleshooting." It may save you the cost of a service call. If you still need help, follow the instructions below.

When calling, please know the purchase date and the complete model and serial number of your appliance. This information will help us to better respond to your request.

If you need replacement parts

If you need to order replacement parts, we recommend that you only use factory specified parts. These parts will fit right and work right, because they are made with the same precision used to build every new KITCHENAID® appliance. To locate factory specified replacement parts in your area, call our Customer eXperience Center telephone number or your nearest KitchenAid designated service center.

In the U.S.A.

Call the KitchenAid Customer eXperience Center toll free: **1-800-422-1230**.

Our consultants provide assistance with:

- Features and specifications on our full line of appliances
- Installation information
- Accessory and repair parts sales
- Specialized customer assistance (Spanish speaking, hearing impaired, limited vision, etc.)
- Referrals to local dealers, repair parts distributors, and service companies. KitchenAid designated service technicians are trained to fulfill the product warranty and provide after-warranty service, anywhere in the United States

To locate the KitchenAid designated service company in your area, you can also look in your telephone directory Yellow Pages.

For further assistance

If you need further assistance, you can write to KitchenAid with any questions or concerns at:

KitchenAid Brand Home Appliances
Customer eXperience Center
553 Benson Road
Benton Harbor, MI 49022-2692

Please include a daytime phone number in your correspondence.

In Canada

Call the KitchenAid Canada Customer Interaction Centre toll free: **1-800-807-6777**.

Our consultants provide assistance with:

- Use and maintenance procedures
- Accessory and repair parts sales
- Features and specifications on our full line of appliances
- Referrals to local dealers, repair parts distributors, and service companies. KitchenAid Canada designated service technicians are trained to fulfill the product warranty and provide after-warranty service anywhere in Canada.

For further assistance

If you need further assistance, you can write to Whirlpool Canada LP with any questions or concerns at:

Customer Interaction Centre
KitchenAid Canada
1901 Minnesota Court
Mississauga, Ontario L5N 3A7

Please include a daytime phone number in your correspondence.

KITCHENAID® PRO LINE™ WASHER WARRANTY

FIVE YEAR PARTS AND LABOR LIMITED WARRANTY

For five years from the date of purchase, when this major appliance is operated and maintained according to instructions attached to or furnished with the product, KitchenAid or KitchenAid Canada (hereafter "KitchenAid") will pay for factory specified replacement parts and repair labor to correct defects in materials or workmanship. Service must be provided by a KitchenAid designated service company.

FIFTH THROUGH TENTH YEAR LIMITED WARRANTY ON CERTAIN COMPONENT PARTS

In the fifth through tenth years from the date of purchase, when this major appliance is operated and maintained according to instructions attached to or furnished with the product, KitchenAid will pay for replacement parts for the following components if defective in materials or workmanship: the top/lid and cabinet assembly due to rust; the outer tub should it crack or fail to contain water.

LIFETIME LIMITED WARRANTY ON THE STAINLESS STEEL EXTERIOR FINISH AND STAINLESS STEEL WASH DRUM

For the lifetime of the major appliance, when this major appliance is operated and maintained according to instructions attached to or furnished with the product, KitchenAid will pay for replacement parts for the stainless steel exterior finish and the stainless steel wash drum should it chip or rust due to defects in materials or workmanship.

ITEMS KITCHENAID WILL NOT PAY FOR

1. Service calls to correct the installation of your major appliance, to instruct you how to use your major appliance, to replace or repair house fuses or to correct house wiring or plumbing.
2. Service calls to repair or replace appliance light bulbs, air filters or water filters. Those consumable parts are excluded from warranty coverage.
3. Repairs when your major appliance is used for other than normal, single-family household use.
4. Damage resulting from accident, alteration, misuse, abuse, fire, flood, acts of God, improper installation, installation not in accordance with electrical or plumbing codes, or use of products not approved by KitchenAid.
5. Replacement parts or repair labor costs for units operated outside the United States or Canada.
6. Pickup and delivery. This major appliance is designed to be repaired in the home.
7. Repairs to parts or systems resulting from unauthorized modifications made to the appliance.
8. Expenses for travel and transportation for product service in remote locations.
9. The removal and reinstallation of your appliance if it is installed in an inaccessible location or is not installed in accordance with published installation instructions.

DISCLAIMER OF IMPLIED WARRANTIES; LIMITATION OF REMEDIES

CUSTOMER'S SOLE AND EXCLUSIVE REMEDY UNDER THIS LIMITED WARRANTY SHALL BE PRODUCT REPAIR AS PROVIDED HEREIN. IMPLIED WARRANTIES, INCLUDING WARRANTIES OF MERCHANTABILITY OR FITNESS FOR A PARTICULAR PURPOSE, ARE LIMITED TO ONE YEAR OR THE SHORTEST PERIOD ALLOWED BY LAW. KITCHENAID SHALL NOT BE LIABLE FOR INCIDENTAL OR CONSEQUENTIAL DAMAGES. SOME STATES AND PROVINCES DO NOT ALLOW THE EXCLUSION OR LIMITATION OF INCIDENTAL OR CONSEQUENTIAL DAMAGES, OR LIMITATIONS ON THE DURATION OF IMPLIED WARRANTIES OF MERCHANTABILITY OR FITNESS, SO THESE EXCLUSIONS OR LIMITATIONS MAY NOT APPLY TO YOU. THIS WARRANTY GIVES YOU SPECIFIC LEGAL RIGHTS AND YOU MAY ALSO HAVE OTHER RIGHTS, WHICH VARY FROM STATE TO STATE OR PROVINCE TO PROVINCE.

Outside the 50 United States and Canada, this warranty does not apply. Contact your authorized KitchenAid dealer to determine if another warranty applies.

If you need service, first see the "Troubleshooting" section of the Use & Care Guide. After checking "Troubleshooting," additional help can be found by checking the "Assistance or Service" section or by calling KitchenAid. In the U.S.A., call **1-800-422-1230**. In Canada, call **1-800-807-6777**.

2/06

Keep this book and your sales slip together for future reference. You must provide proof of purchase or installation date for in-warranty service.

Write down the following information about your major appliance to better help you obtain assistance or service if you ever need it. You will need to know your complete model number and serial number. You can find this information on the model and serial number label located on the product.

Dealer name _____

Address _____

Phone number _____

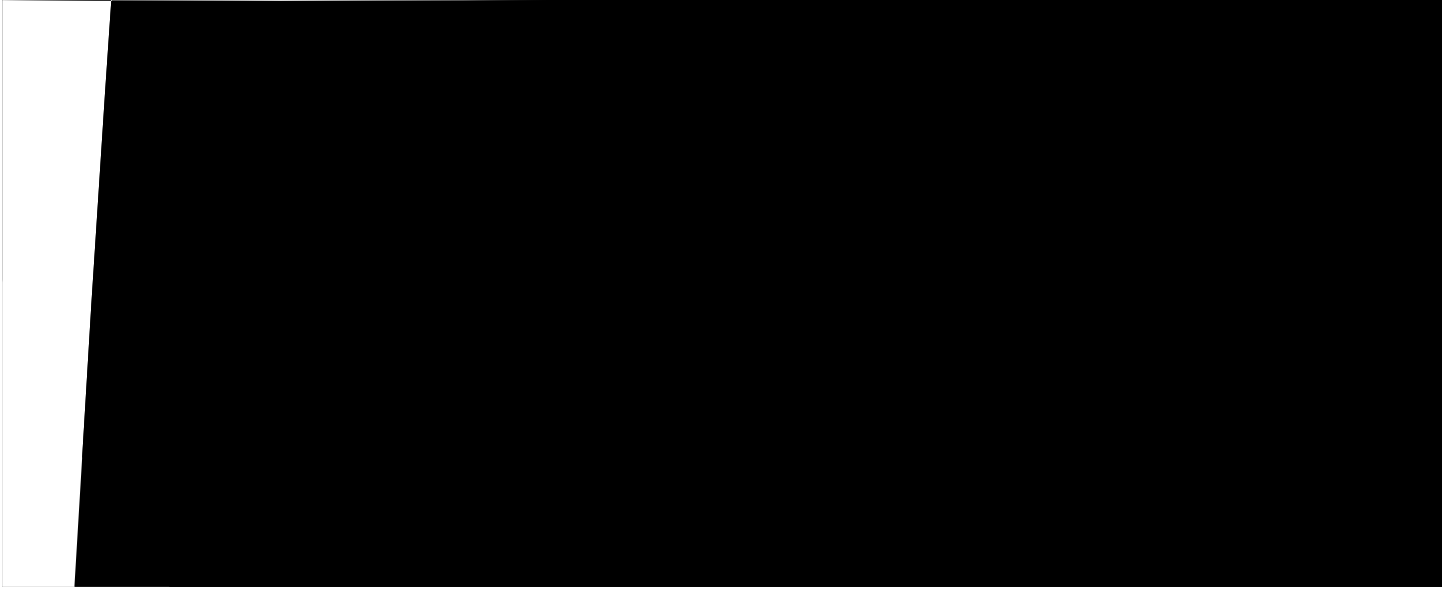
Model number _____

Serial number _____

Purchase date _____

Notes

SÉCURITÉ DE LA LAVEUSE



EXIGENCES D'INSTALLATION

Outillage et pièces

Rassembler les outils et pièces nécessaires avant de commencer l'installation. Les pièces fournies se trouvent dans le tambour de la laveuse.

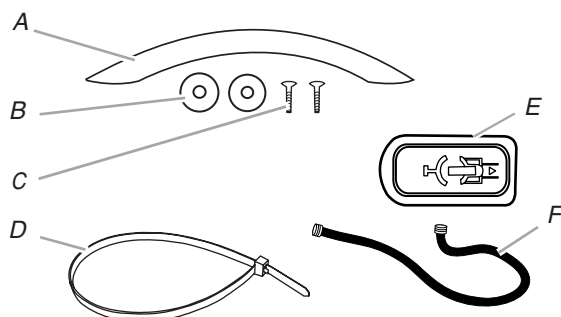
Outils nécessaires au raccordement des tuyaux d'arrivée d'eau

- Pince - ouverture jusqu'à 1 $\frac{1}{16}$ " (3,95 cm)
- Lampe de poche (facultative)

Outils nécessaires à l'installation

- Clé plate ou clé à molette de 13 mm et $\frac{9}{16}$ " (14 mm)
- Règle ou mètre ruban
- Tournevis Phillips n° 3
- Cale en bois
- Niveau

Pièces fournies



- A. Poignée de porte
- B. Rondelles de poignée de porte (2)
- C. Vis de poignée de porte (2)
- D. Attache de fixation
- E. Bouchon pour les trous des boulons de transport (4)
- F. Tuyau d'alimentation (2)

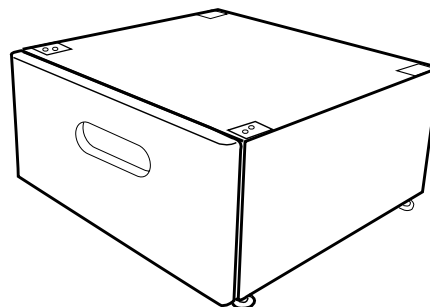
Autres pièces

Il se peut que l'installation nécessite des pièces supplémentaires. Pour acheter l'un des articles indiqués ici, composer le numéro sans frais indiqué sur la couverture ou à la section "Assistance ou service".

Si vous avez	Vous devrez acheter
Évier de buanderie ou tuyau de rejet à l'égout plus haut que 96" (2,4 m)	Système de pompe de puisard (si non déjà disponible)
Égout surélevé	Évier de vidange standard de 20 gal. (76 L) de 30" (76,2 cm) de hauteur ou évier utilitaire et pompe de puisard (disponibles chez votre fournisseur local d'articles de plomberie)
Égout au plancher	Brise-siphon, Pièce numéro 285834, tuyau de vidange supplémentaire, Pièce numéro 8318155 et kit de connexion, Pièce numéro 285835
Tuyau de vidange trop court	Trousse de rallonge du tuyau de vidange de 4 pi, Pièce numéro 285863
Robinetts d'eau hors d'atteinte des tuyaux d'admission	2 tuyaux d'admission d'eau plus longs : 6 pi (1,8 m) - Pièce numéro 76314, 10 pi (3 m) - Pièce numéro 350008

Options

Il est possible d'acheter un piédestal séparément pour cette laveuse. Ce piédestal ajoutera environ 11" (27,9 cm) à la hauteur de la laveuse pour une hauteur verticale totale d'environ 53" (134,6 cm).



Piédestal facultatif

Pour commander, téléphoner au marchand chez qui la laveuse a été achetée ou se référer à la section "Assistance ou service" de ce manuel. Demander le modèle numéro LAV2701RSS.

Exigences d'emplacement

Le choix d'un emplacement approprié pour la laveuse en améliore le rendement et réduit au minimum le bruit et le "déplacement" de la laveuse.

La laveuse peut être installée sous un comptoir personnalisé, dans un sous-sol, une salle de buanderie, un placard ou un encastrement. Voir "Système de vidange".

IMPORTANT: Ne pas installer ou remiser la laveuse dans un endroit où elle sera exposée aux intempéries.

Il faut aussi prendre en compte les exigences d'emplacement des appareils voisins. C'est à l'utilisateur qu'incombe la responsabilité de réaliser une installation correcte.

Il vous faudra

- Un chauffe-eau pour fournir de l'eau à 120°F (49°C) à la laveuse.
- Une prise électrique reliée à la terre située à moins de 6 pi (1,8 m) de la prise du cordon électrique se trouvant à l'arrière de la laveuse. Voir "Spécifications électriques".
- Des robinets d'eau chaude et d'eau froide situés à moins de 5 pi (1,5 m) des robinets d'admission d'eau chaude et d'eau froide, et une pression d'eau de 20-100 lb/po² (137,9-689,6 kPa).
- Un plancher de niveau ayant une pente maximale de 1" (2,5 cm) sous l'ensemble de la laveuse. L'installation de la laveuse sur de la moquette n'est pas recommandée.
- Un plancher robuste pour supporter la laveuse dont le poids total (laveuse, eau et charge) est de 550 lb (249 kg).

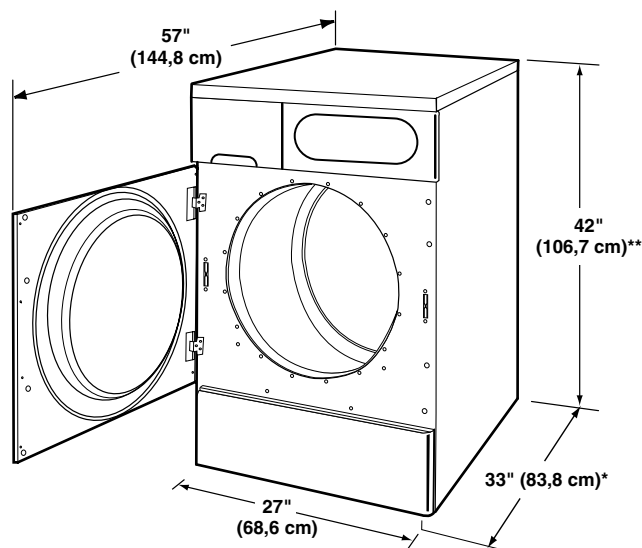
Ne pas faire fonctionner la laveuse à des températures inférieures à 32°F (0°C). Une quantité d'eau peut demeurer dans la laveuse et causer des dommages à des températures basses. Voir "Entretien de la laveuse" pour des renseignements sur la préparation de la laveuse pour l'hiver.

Espacement d'installation

On recommande les dimensions d'espacement suivantes pour cette laveuse. Cette laveuse a été testée pour une installation avec dégagement de 0" (0 cm) sur les côtés, à l'avant, à l'arrière et sur le dessus. L'espacement recommandé doit être considéré pour les raisons suivantes :

- L'emplacement doit être assez grand pour permettre d'ouvrir complètement la porte de la laveuse.
- Prévoir davantage d'espace pour faciliter l'installation et l'entretien.
- Un espace supplémentaire peut être requis pour les moulures de porte et de plancher et pour les plinthes.
- Un espace supplémentaire de 1" (2,5 cm) de tous les côtés de la laveuse est recommandé pour réduire le transfert du bruit.
- Il faut aussi prendre en compte l'espace requis entre les appareils voisins.

Dimensions de la laveuse



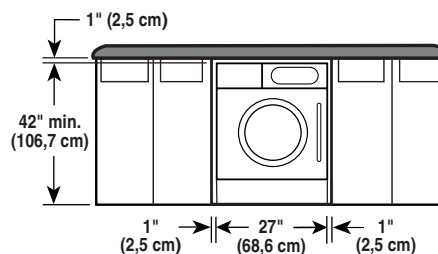
* Inclut la poignée de porte.

** Inclut les pieds déployés de 1" (2,5 cm).
Le revêtement décoratif facultatif (inclus) ajoutera environ ½" (1,3 cm)

REMARQUE : La porte n'est pas réversible.

Espacement recommandé pour une installation personnalisée sous un comptoir, laveuse seulement

- Les dimensions indiquées correspondent à une laveuse sans revêtement décoratif facultatif installé sur la partie supérieure de l'appareil.



Spécifications électriques

AVERTISSEMENT



Risque de choc électrique

Brancher sur une prise à 3 alvéoles reliée à la terre.

Ne pas enlever la broche de liaison à la terre.

Ne pas utiliser un adaptateur.

Ne pas utiliser un câble de rallonge.

Le non-respect de ces instructions peut causer un décès, un incendie ou un choc électrique.

- Une alimentation de 120 volts, 60-Hz, CA seulement, de 15 ou 20 ampères, protégée par un fusible est requise. On recommande l'emploi d'un fusible ou d'un disjoncteur temporisé. Il est recommandé de raccorder l'appareil sur un circuit distinct exclusif à cet appareil.
- Cette laveuse comporte un cordon d'alimentation électrique à trois broches pour liaison à la terre.
- Pour minimiser les risques de choc électrique, on doit brancher le cordon sur une prise de courant de configuration correspondante, à 3 alvéoles, reliée à la terre et installée conformément aux codes et règlements locaux. Si une prise de courant de configuration correspondante n'est pas disponible, le client a la responsabilité et l'obligation de faire installer par un électricien qualifié une prise de courant correctement reliée à la terre.
- Si les codes le permettent et si on utilise un conducteur distinct de liaison à la terre, il est recommandé qu'un électricien qualifié vérifie la qualité de la liaison à la terre.
- Ne pas utiliser une tuyauterie de gaz pour le raccordement à la terre.

- En cas de doute quant à la qualité de la liaison à la terre de la laveuse, consulter un électricien qualifié.
- Ne pas installer un fusible dans le conducteur neutre ou le conducteur de liaison à la terre.

INSTRUCTIONS DE LIAISON À LA TERRE

Pour une laveuse reliée à la terre et connectée par un cordon :

Cette laveuse doit être reliée à la terre. En cas d'anomalie de fonctionnement ou de panne, la liaison à la terre réduira le risque de choc électrique en offrant au courant électrique un itinéraire d'évacuation de moindre résistance. Cette laveuse est alimentée par un cordon électrique comportant un conducteur relié à la terre et une fiche de branchement munie d'une broche de liaison à la terre. La fiche doit être branchée sur une prise de courant appropriée qui est bien installée et reliée à la terre conformément à tous les codes et règlements locaux.

AVERTISSEMENT : Le raccordement incorrect de cet appareil au conducteur de liaison à la terre peut susciter un risque de choc électrique. En cas de doute quant à la qualité de la liaison à la terre de l'appareil, consulter un électricien ou technicien d'entretien qualifié.

Ne pas modifier la fiche de branchement fournie avec l'appareil – si la fiche ne correspond pas à la configuration de la prise de courant, demander à un électricien qualifié d'installer une prise de courant convenable.

Pour une laveuse raccordée en permanence :

Cette laveuse doit être raccordée à un système de câblage permanent en métal relié à la terre ou un conducteur relié à la terre doit être en fonction avec les conducteurs de circuit et raccordés à la borne de liaison à la terre ou la borne sur l'appareil ménager.

INSTRUCTIONS D'INSTALLATION

Retrait du revêtement décoratif

Retirer le revêtement décoratif facultatif (inclus) de la partie supérieure de la laveuse et le mettre de côté.

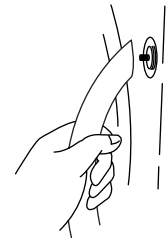
Fixation de la poignée de porte

Retirer le sachet de pièces du tambour de la laveuse. Vérifier la présence de toutes les pièces.

Fixation de la poignée de porte

1. Insérer les 2 vis à travers les trous de la porte.
2. Placer les rondelles de plastique sur les vis.

3. Fixer la poignée en serrant manuellement la vis supérieure puis la vis inférieure.



4. Appuyer la poignée contre la porte. À l'aide d'un tournevis Phillips, serrer les vis.

REMARQUE : Ne pas serrer excessivement.

Élimination des accessoires de transport

AVERTISSEMENT

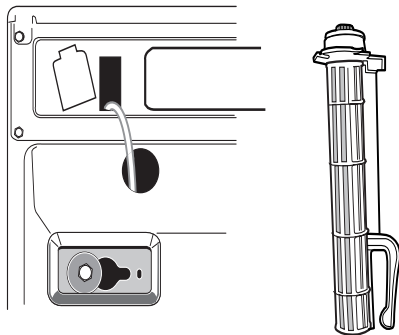
Risque du poids excessif

Utiliser deux ou plus de personnes pour déplacer et installer la laveuse.

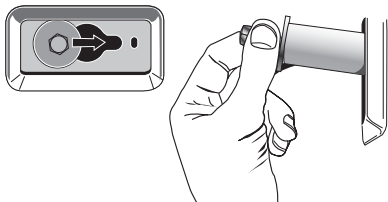
Le non-respect de cette instruction peut causer une blessure au dos ou d'autre blessure.

IMPORTANT : Positionner la laveuse de sorte que l'arrière de la laveuse soit à environ 3 pi (90 cm) de son emplacement final.

Sur le panneau arrière de la laveuse, 4 boulons supportent le système de suspension durant le transport. Ces boulons retiennent aussi le cordon d'alimentation à l'intérieur de la laveuse jusqu'à ce qu'on les retire.



1. Au moyen d'une clé de 13 mm, desserrer chaque boulon.
2. Une fois le boulon desserré, le déplacer au centre du trou et le retirer complètement, y compris la cale d'espacement en plastique couvrant le boulon. Le cordon d'alimentation sera fixé aux 4 boulons à l'intérieur de la laveuse.



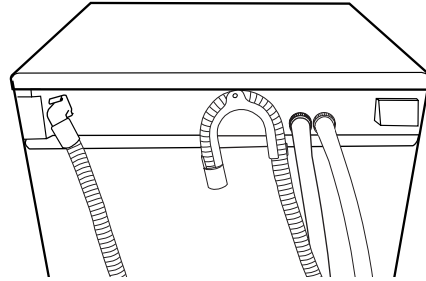
3. Une fois que les 4 boulons ont été retirés, jeter les boulons et les cales d'espacement. Puis tirer le cordon d'alimentation à travers l'ouverture du panneau arrière et obturer le trou avec le bouchon fourni.
4. Obturer les trous des boulons avec les 4 bouchons pour les trous des boulons de transport.

REMARQUE : Si la laveuse doit être transportée à une date ultérieure, appeler le centre de service local. Pour éviter des dommages concernant la suspension et la structure, votre machine doit être correctement préparée (système de transport installé) pour réinstallation ultérieure par un technicien certifié.

Acheminement du tuyau de vidange

Le bon acheminement du tuyau de vidange aide à éviter les dommages aux planchers dus à une fuite d'eau. Lire et suivre ces instructions.

Le tuyau de vidange est raccordé à la laveuse. Tirer doucement pour dégager le tuyau d'évacuation (matériau ondulé) des agrafes d'arrimage.



Pour empêcher l'eau de vidange de refluer dans la laveuse :

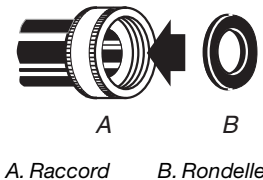
- Ne pas redresser le tuyau de vidange ni forcer l'excédent de tuyau dans le tuyau de rejet à l'égout. Le tuyau doit être bien immobilisé, tout en permettant le passage d'air.
- Ne pas mettre l'excédent du tuyau de vidange dans le fond de l'évier de buanderie.

Égout au plancher

Il vous faudra peut-être des pièces supplémentaires. Voir Égout au plancher dans "Outillage et pièces".

Raccordement des tuyaux d'alimentation

IMPORTANT : Vérifier que les rondelles de caoutchouc sont installées aux deux extrémités des deux tuyaux d'alimentation. S'il manque une ou plusieurs rondelles, composer le numéro sans frais figurant sur la couverture ou à la section "Assistance ou service".



Connecter les tuyaux d'alimentation aux robinets d'eau

S'assurer que le tambour de la laveuse est vide.

1. Fixer le tuyau d'alimentation rouge au robinet d'eau chaude. Visser complètement le raccord à la main pour qu'il comprime la rondelle.
2. Fixer le tuyau d'alimentation bleu au robinet d'eau froide. Visser complètement le raccord à la main pour qu'il comprime la rondelle.

ant deux

3. Ajuster les raccords en effectuant deux tours. Ne pas serrer excessivement. Le raccord doit être étanche et vérifier s'il y a des fuites.
4. Ouvrir les robinets d'arrêt et vérifier s'il y a des fuites.

REMARQUE : Remplacer le tuyau après 10 ans d'utilisation ou en cas de détérioration intempestive. Prendre en compte le remplacement de la vanne d'arrêt ultérieure.

Inspecter périodiquement le tuyau de vidange pour un renflement/déformations qui se manifestent.

uban
être

—

—

et

t

1. Faire passer le tuyau de vidange dans le trou de la machine.
2. Fixer le tuyau de vidange au support de la machine.

—

—

le tuyau de vidange dans le trou de la machine. Attacher fermement le tuyau de vidange en utilisant le support de la machine.

REMARQUES :

Le tuyau de vidange doit être fixé fermement au support de la machine.

Le tuyau de vidange doit être fixé fermement au support de la machine.

Le tuyau de vidange doit être fixé fermement au support de la machine. Ne pas assurer l'étanchéité à la vanne et le tuyau de rejet à la machine.

Remplacement du tuyau de vidange

Le tuyau de vidange doit être fixé fermement au support de la machine. Le tuyau de vidange doit être fixé fermement au support de la machine. Le tuyau de vidange doit être fixé fermement au support de la machine.

Le tuyau de vidange doit être fixé fermement au support de la machine. Le tuyau de vidange doit être fixé fermement au support de la machine. Le tuyau de vidange doit être fixé fermement au support de la machine.

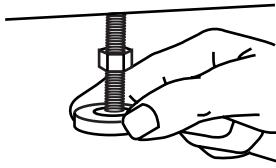
Le tuyau de vidange doit être fixé fermement au support de la machine.

Connecter le tuyau d'alimentation

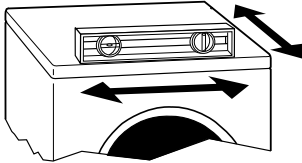
H. Tuyau d'eau chaude

1. Fixer le tuyau d'alimentation d'eau chaude à la machine complètement. Le tuyau d'alimentation d'eau chaude doit être fixé fermement à la machine.

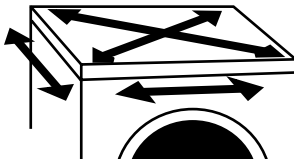
- Appuyer sur le panneau avant supérieur pour vérifier que la laveuse repose sur ses pieds arrière. Abaisser le pied avant droit jusqu'à ce qu'il soit en contact avec le plancher. Manuellement, faire pivoter fermement le pied d'un tour et demi supplémentaire.



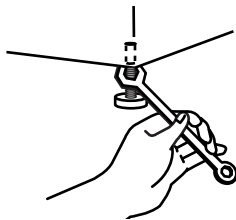
- Utiliser un niveau placé sur le bord supérieur de la laveuse pour contrôler l'aplomb, d'abord transversalement, puis dans le sens avant arrière.



- Faire basculer doucement la laveuse d'avant en arrière, transversalement et en diagonale pour vérifier que les quatre pieds sont bien en contact avec le plancher.

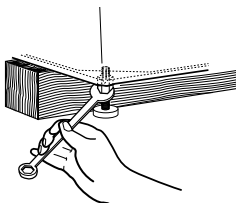


- Après avoir établi l'aplomb correct de la laveuse, utiliser une clé plate de 5/16" (14 mm) pour serrer l'écrou de chaque pied contre la caisse de la laveuse.



IMPORTANT : Les quatre pieds doivent être bien serrés. Si les écrous ne sont pas bloqués contre la caisse de la laveuse, la laveuse peut vibrer.

- Si la laveuse n'est pas d'aplomb, déplacer légèrement la laveuse et l'incliner d'abord vers l'avant avec une cale de bois et ajuster les pieds en fonction des besoins. Puis incliner l'arrière et ajuster les pieds en fonction des besoins. Répéter cette opération jusqu'à l'obtention d'un aplomb correct de la laveuse.



Achever l'installation

- Consulter les spécifications électriques. Vérifier que la tension électrique disponible est correcte et que la prise de courant est convenablement reliée à la terre. Voir "Spécifications électriques".
- Vérifier que toutes les pièces sont maintenant installées. S'il reste une pièce, passer en revue les différentes étapes pour découvrir laquelle aurait été oubliée.
- Vérifier la présence de tous les outils.
- Ôter tout film protecteur ou ruban adhésif restant sur la laveuse.
- Installer le revêtement décoratif facultatif sur la partie supérieure de la laveuse.
REMARQUE : Vérifier que la partie supérieure de la laveuse et la partie inférieure du revêtement sont propres.
- Jeter/recycler tous les matériaux d'emballage.
- Vérifier que les robinets d'eau sont ouverts.
- Vérifier s'il y a des fuites autour des robinets et des tuyaux d'arrivée d'eau.

⚠ AVERTISSEMENT



Risque de choc électrique

Brancher sur une prise à 3 alvéoles reliée à la terre.

Ne pas enlever la broche de liaison à la terre.

Ne pas utiliser un adaptateur.

Ne pas utiliser un câble de rallonge.

Le non-respect de ces instructions peut causer un décès, un incendie ou un choc électrique.

- Brancher sur une prise à 3 alvéoles reliée à la terre.
- Lire "Utilisation de la laveuse".
- Pour tester et nettoyer la laveuse, mesurer la moitié de la quantité de détergent HE Haute efficacité recommandée par le fabricant pour une charge de taille moyenne. Verser le détergent dans le distributeur de détergent. Sélectionner NORMAL/CASUAL (normal/tout-aller), puis START (mise en marche). Laisser la machine exécuter le programme complet.



Utiliser uniquement un détergent HE Haute efficacité.

CARACTÉRISTIQUES ET AVANTAGES

Commandes électroniques

Les commandes électroniques flexibles sont faciles à utiliser, que vous soyez débutant ou expert.

Système supérieur de distribution de détergent

Les quatre compartiments du distributeur permettent le chargement de tous les additifs de lessive avant la mise en marche de la laveuse. Les additifs seront distribués dans la laveuse au moment opportun pour un nettoyage performant. Un système de libération de l'agent de blanchiment est inclus dans le système supérieur de distribution de détergent. Le détergent est ajouté au début du programme et l'agent de blanchiment est ajouté une fois que les enzymes ont pu effectuer leur nettoyage. L'assouplissant de tissu est distribué au cours du programme de rinçage. Le plateau du système supérieur de distribution de détergent peut être retiré facilement pour le nettoyage.

Niveau d'eau automatique

En s'ajustant au volume de la charge, cette caractéristique permet à la laveuse d'utiliser la quantité d'eau minimum nécessaire au nettoyage et au rinçage des vêtements. Étant donné que seule la quantité nécessaire d'eau est utilisée, la laveuse vous fait aussi économiser de l'énergie.

Volume de charge plus important

L'absence d'agitateur permet de laver des articles plus grands et plus encombrants tels qu'un sac de couchage de taille moyenne. Vous pouvez aussi laver davantage de vêtements à la fois, ce qui signifie moins de charges.

Système de suspension

Pour réduire le "déplacement" ou le "déséquilibre" de la laveuse, celle-ci comprend :

- 2 ressorts pour isoler les vibrations
- 4 amortisseurs à la base de la laveuse pour minimiser le mouvement

Tambour en acier inoxydable

Le tambour en acier inoxydable élimine la corrosion et permet des vitesses d'essorage plus élevées pour une meilleure évacuation de l'eau et une réduction de la durée de séchage.

Moteur adaptatif à vitesse variable

Le moteur s'adapte au volume de la charge et au programme sélectionné pour délivrer les meilleures conditions de nettoyage, de rinçage et d'essorage. Le moteur est en mesure de gérer les vitesses lentes nécessaires aux lainages et articles délicats mais est suffisamment puissant pour le lavage d'une importante charge de linge.

Système de lavage Haute efficacité

Votre nouvelle laveuse à chargement frontal Haute efficacité fait gagner du temps en permettant des charges moins nombreuses et plus importantes, préserve les ressources et diminue également vos factures d'eau et d'énergie.

Vitesses d'essorage

Cette laveuse sélectionne automatiquement la vitesse d'essorage en fonction du programme sélectionné. Ce réglage effectué à l'usine peut toutefois être modifié. Cette laveuse offre jusqu'à six choix de vitesses d'essorages différentes.

Optimiseur thermique

Le système de chauffage garantit que l'eau de lavage est chauffée à la température pré-réglée pour les programmes Heavy Duty (service intense), White/Cotton (blanc/coton), Sanitary (sanitaire), et l'option Soil Treat (traitement des taches). Il fournit également un "nettoyage par étapes" lors de l'utilisation du programme Sanitary (sanitaire) ou de l'option Soil Treat (traitement des taches). Le nettoyage par étapes débute le programme de lavage avec de l'eau tiède pour éliminer les taches (de sang ou d'herbe par exemple). L'eau continue à chauffer afin d'éliminer les taches telles que l'huile mécanique usagée.

Ajouter un vêtement

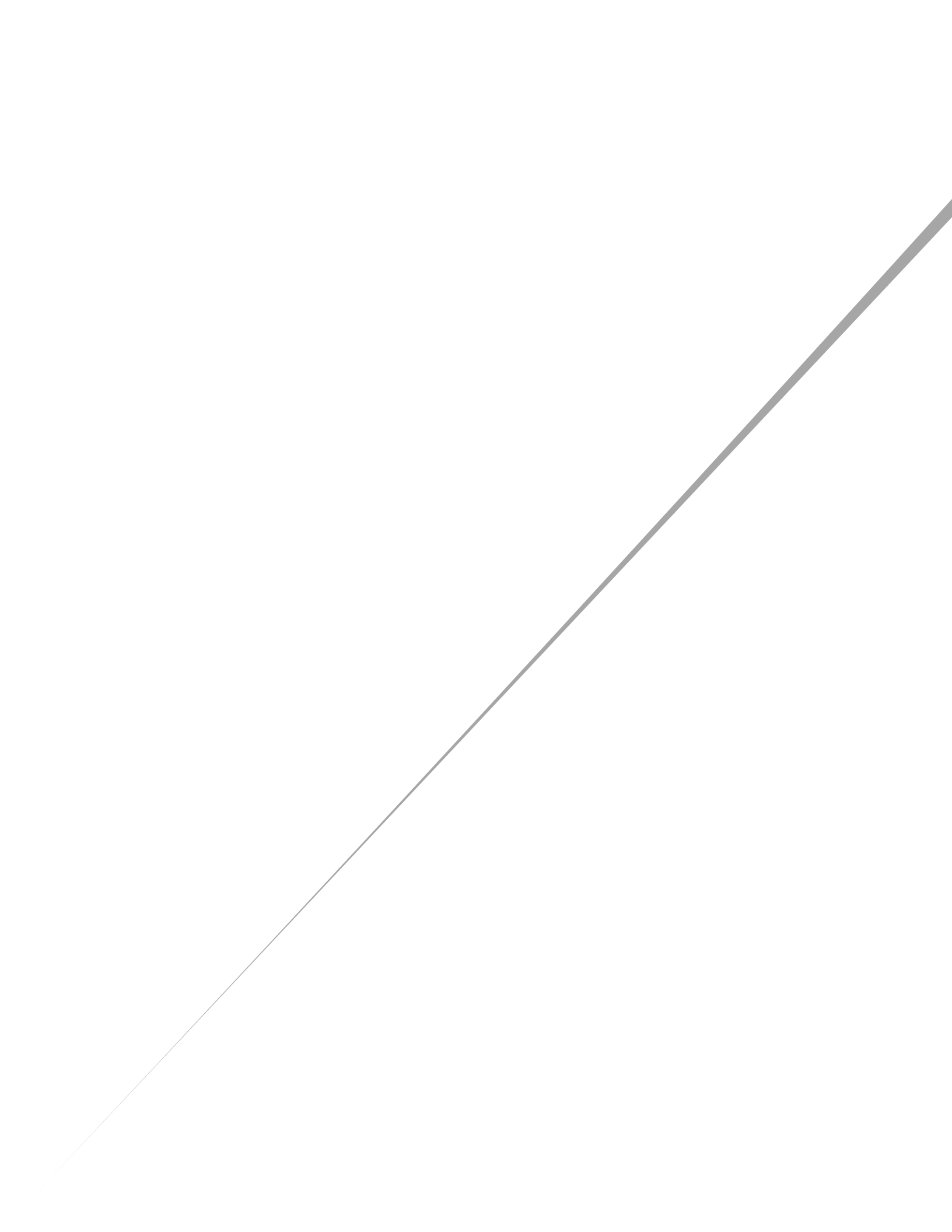
Lorsque le témoin est allumé, les programmes Rapid Wash (lavage rapide), Normal/Casual (normal/tout-aller), Heavy Duty (service intense), White/Cotton (blanc/coton) et Sanitary (sanitaire) peuvent être mis en pause et la porte peut être déverrouillée de façon à pouvoir ajouter un article oublié au moment du chargement de la laveuse. Le message de statut ADD A GARMENT reste affiché pendant les 8 premières minutes du programme puis le message LOCKED (verrouillé) s'affiche.

Injection directe de détergent

Une solution de détergent concentrée est aspergée sur les vêtements au début du programme pour garantir que le détergent est en contact avec les vêtements dès que possible, ce qui permet l'élimination des taches sans prétraitement.

Détection dynamique de déséquilibre

Cette laveuse utilise deux capteurs pour détecter le volume de la charge et tout déséquilibre au sein de la charge. Le système de suspension et les commandes sont spécialement conçus pour redistribuer la charge automatiquement.



Pour tous les programmes de lavage

1. Pour charger la laveuse

Ouvrir la porte de la laveuse en tirant sur la poignée. Trier le linge d'après la couleur et le type de tissu. Placer une charge de linge trié dans la laveuse. Ne pas surcharger la laveuse. Une surcharge peut causer un nettoyage médiocre.

- La laveuse peut être bien remplie mais le linge ne doit pas être tassé. La porte de la laveuse doit fermer facilement.
- Mélanger les gros et les petits articles. Éviter de laver un article seul. Charger la laveuse uniformément.
- Laver les petits articles tels que les chaussettes d'enfants dans un sac en filet pour le linge. Il est recommandé d'utiliser plus d'un sac de linge, et de remplir chaque sac avec des quantités similaires.
- Lorsqu'on retire le linge, vérifier de temps en temps sous le pourtour en caoutchouc à l'avant de la cuve qu'il n'y a pas de petits articles coincés.

2. Fermer la porte de la laveuse en la poussant fermement jusqu'à ce que le verrou s'enclenche. La porte de la laveuse demeurera verrouillée durant le programme de lavage.

REMARQUE : Lorsqu'un programme de lavage est terminé, la porte doit être ouverte puis refermée avant qu'un nouveau programme puisse commencer. La porte peut être ouverte seulement si PAUSE/CANCEL (pause/annulation) est sélectionné alors que le témoin ADD A GARMENT (ajouter un vêtement) est allumé sur l'afficheur ou si le programme a été annulé. Voir "Pour annuler un programme" dans la section "Changement de programmes, options et modificateurs".

3. Ouvrir le tiroir distributeur et verser les produits de lessive dans les compartiments de détergent, d'agent de blanchiment ou d'assouplissant de tissu. Fermer le tiroir lentement pour éviter les renversements. Voir "Utilisation du distributeur".

4. Mettre la laveuse en marche en sélectionnant l'un des PROGRAMMES DE LAVAGE. Le témoin lumineux correspondant au programme sélectionné s'allumera. Lors de la sélection d'un programme de lavage, les préréglages des options, niveau de saleté, température et vitesse d'essorage pour le programme sélectionné seront allumés. L'afficheur indique la durée résiduelle estimée. Les préréglages procurent les soins aux tissus recommandés pour le programme sélectionné. Voir "Programmes".

5. Sélectionner les options désirées. Toutes les options ne sont pas disponibles avec tous les programmes. Voir "Options".

6. Sélectionner les modificateurs désirés (niveau de saleté, température et vitesse d'essorage). Tous les modificateurs ne sont pas disponibles avec tous les programmes et toutes les options. Voir "Modificateurs".

7. Si désiré, sélectionner le SIGNAL DE FIN DE PROGRAMME. Le signal est utile lorsque vous lavez des articles qui doivent être enlevés de la laveuse aussitôt qu'elle s'arrête.

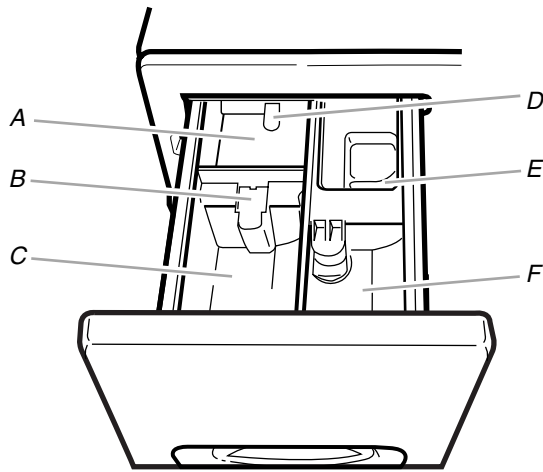
8. Pour commencer le programme de lavage immédiatement

Sélectionner START (pendant 1 seconde environ).

- Si vous n'appuyez pas sur START (mise en marche) dans les 5 minutes qui suivent le choix d'un programme, la laveuse s'éteint automatiquement.

- Lorsque le programme de lavage est terminé, le témoin de l'état d'avancement CLOTHES CLEAN (linge propre) s'affiche, la porte se déverrouille et la charge peut être retirée de la laveuse. La laveuse s'éteint automatiquement 5 minutes après la fin du programme et

3. Enfoncer le tiroir distributeur lentement et complètement (pour éviter les renversements).



Distributeur

- A. Compartiment pour détergent de prélavage
- B. Séparateur
- C. Compartiment pour détergent du lavage principal
- D. Levier de dégagement du distributeur
- E. Compartiment pour agent de blanchiment
- F. Compartiment pour assouplissant de tissu

Compartiment pour détergent de prélavage

(Lettre A dans l'illustration du distributeur)

Verser le détergent dans ce compartiment en cas d'utilisation de l'option de prélavage. Un détergent liquide ou en poudre peut être utilisé dans ce compartiment. Le détergent sera automatiquement distribué au cours du prélavage si l'option de prélavage est sélectionnée.

- En utilisant un détergent Haute efficacité (HE), ajouter $\frac{1}{3}$ de la quantité recommandée dans le compartiment de prélavage et $\frac{2}{3}$ de la quantité recommandée dans le compartiment de lavage principal.
- Ne pas remplir au-delà du niveau "MAX".

Compartiment pour détergent du lavage principal

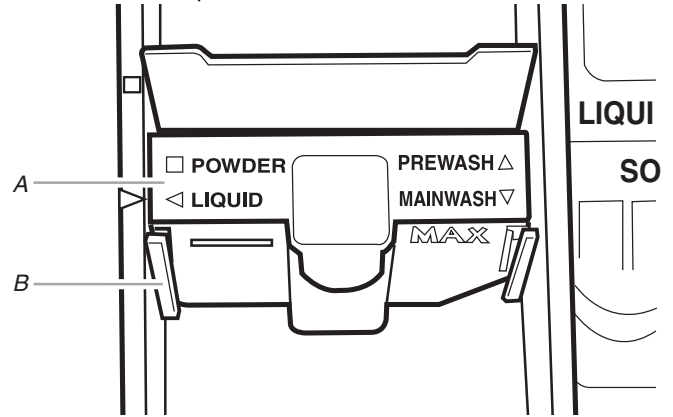
(Lettre C dans l'illustration du distributeur)

Verser le détergent liquide ou en poudre dans ce compartiment pour le programme de lavage principal. Le séparateur de détergent doit toujours être en place, soit à l'avant soit à l'arrière.

IMPORTANT : En cas d'utilisation du prélavage ou de l'option de mise en marche différée, on doit utiliser un détergent en poudre dans le compartiment de lavage principal car les détergents liquides sont susceptibles de couler hors du compartiment au cours du prélavage ou du délai, avant même le début du lavage principal.

- Ne pas remplir au-delà du niveau "MAX".
- L'agent de blanchiment liquide ou en poudre peut être versé dans le compartiment du lavage principal avec le même type de détergent, liquide ou en poudre.

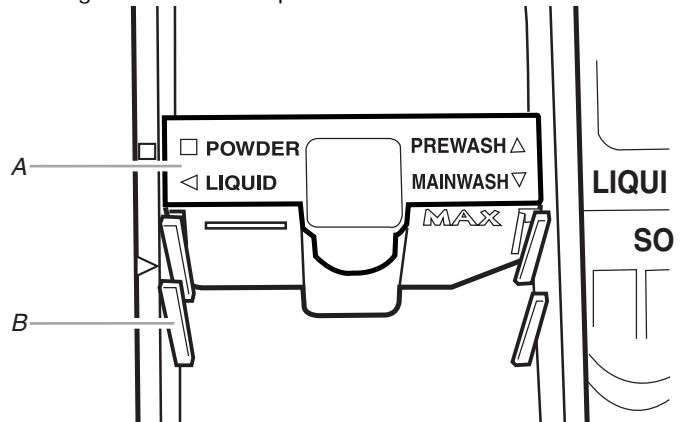
- Détergent liquide : Placer le SÉPARATEUR à l'avant, entre les guides, tel qu'illustré. Il n'y aura pas d'espace entre le fond du compartiment du détergent pour le programme de lavage et le fond du séparateur.



Séparateur placé à l'avant, entre les guides

- A. Séparateur
- B. Guide

- Détergent en poudre : Placer le SÉPARATEUR à l'arrière, derrière les guides, tel qu'illustré. Il y aura un espace entre le fond du compartiment du détergent pour le programme de lavage et le fond du séparateur.



Séparateur placé à l'arrière, derrière les guides

- A. Séparateur
- B. Guide

REMARQUE : Le séparateur est préinstallé à l'usine en position POWDER (poudre [arrière]).

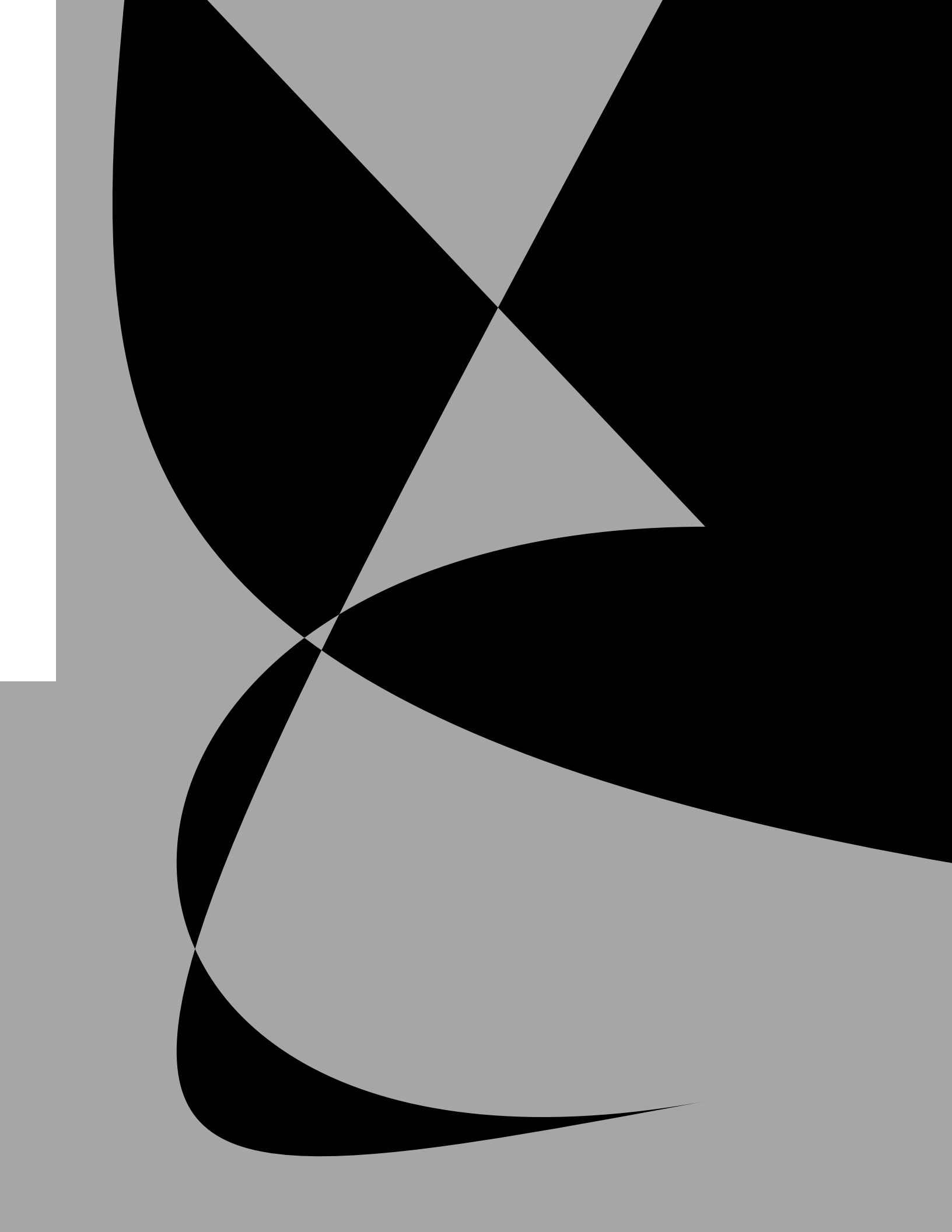
Compartiment pour agent de blanchiment

(Lettre E dans l'illustration du distributeur)

Ne pas verser plus de $\frac{1}{3}$ de tasse (80 mL) d'agent de blanchiment liquide dans ce compartiment. L'agent de blanchiment sera automatiquement dilué et distribué au moment opportun au cours du premier rinçage après le programme de lavage. Ce compartiment ne peut diluer un agent de blanchiment en poudre.

- Toujours mesurer la quantité d'agent de blanchiment liquide. Utiliser une tasse à mesurer avec un bec verseur; ne pas utiliser une quantité approximative.
- Ne pas remplir au-delà du niveau "MAX".

REMARQUE : Un remplissage excessif pourrait causer des dommages aux vêtements.



Pour déverrouiller les commandes :

Sélectionner DRAIN/SPIN pendant 3 secondes jusqu'à ce que l'icône CONTROL LOCKED disparaisse.

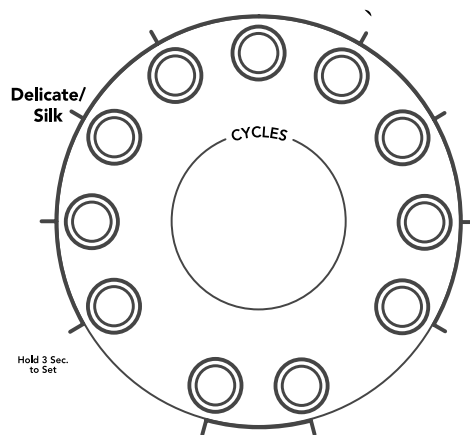
Durée résiduelle estimée

Les durées de programme varient automatiquement en fonction de la pression et de la température de l'eau, du détergent et de la charge de linge. La durée du programme sera prolongée en cas d'excès de mousse ou si la charge est déséquilibrée.

Programmes

Programmes de lavage

Les programmes de lavage peuvent être sélectionnés en appuyant sur le bouton situé à côté du programme désiré. Chaque programme est conçu pour différents types de tissu et niveaux de saleté.



- Chaque programme comporte un niveau de saleté (durée du programme), une température de l'eau et une vitesse d'essorage pré réglés et peut comporter des options pré réglées. Les pré réglages procurent les soins aux tissus recommandés pour le programme sélectionné.
- Les pré réglages peuvent être modifiés à tout moment tant que START (mise en marche) n'a pas été sélectionné. Toutes les options et tous les modificateurs ne sont pas disponibles avec tous les programmes. (Pour modifier les réglages après le début d'un programme, sélectionner PAUSE/CANCEL (pause/annulation) puis sélectionner les réglages désirés. Sélectionner START [pendant environ 1 seconde] pour poursuivre le programme.)

Préréglages de programme

Chaque programme comporte un niveau de saleté (durée du programme), une température de l'eau et une vitesse d'essorage pré réglés. Les pré réglages procurent les soins aux tissus recommandés pour le programme sélectionné. Voir le tableau.

*Les durées de programme varient automatiquement en fonction de la pression et de la température de l'eau, du détergent et de la charge de linge. La durée du programme sera prolongée en cas d'excès de mousse ou si la charge est déséquilibrée.

Sanitary (sanitaire)

Utiliser ce programme pour nettoyer des tissus grand teint très sales. Ce programme combine une température très chaude et une vitesse de culbutage rapide pour garantir l'élimination des saletés intenses et des taches. Il est recommandé de régler le chauffe-eau à 120°F (49°C) pour assurer un rendement efficace pendant ce programme. Une vitesse d'agitation très élevée réduit la durée de séchage.

White/Cotton (blanc/coton)

Ce programme est spécialement conçu pour le nettoyage de charges de linge blanc sale avec ajout d'agent de blanchiment. Les températures de lavage élevées assurent un fonctionnement optimal de l'agent de blanchiment. Un rinçage supplémentaire fournit une performance de rinçage optimale pour éviter les résidus de chlore sur votre lessive. Ce programme combine un culbutage à vitesse rapide, une durée de lavage prolongée et un essorage à vitesse très élevée pour réduire la durée de séchage.

Heavy Duty (service intense)

Utiliser ce programme pour laver des charges de vêtements robustes, aux couleurs grand teint et normalement ou très sales. Ce programme combine un culbutage à vitesse rapide, une durée de lavage prolongée et un essorage à vitesse très élevée pour réduire la durée de séchage. Si la température de l'eau est inférieure à celle nécessaire pour ce programme, le chauffe-eau réchauffera l'eau à la température idéale.

REMARQUE : L'option Soil Treat (traitement des taches) est activée par défaut avec ce programme. Pour garantir un rendement optimal, l'eau est chauffée au fur et à mesure de l'avancement du programme. Ce chauffage progressif favorise l'élimination des souillures organiques telles que le sang.

Oversized Items (articles surdimensionnés)

Utiliser ce programme pour laver de gros articles tels que couvertures et couettes. Ce programme commence par un trempage pour bien imbiber la charge. Ceci est suivi d'une action de lavage moyenne et de vitesses d'essorage extra basses pour maintenir l'équilibre de la charge.

Normal/Casual (normal/tout-aller)

Utiliser ce programme pour laver des charges de tissus qui ne se repassent pas tels que chemises de sport, chemisiers, vêtements de travail tout-aller, mélanges à pressage permanent, coton et lin et tissus synthétiques. Ce programme combine un culbutage à vitesse moyenne, un essorage à vitesse élevée et un processus de refroidissement de la charge pour réduire le froissement.

Rapid Wash (lavage rapide)

Utiliser ce programme pour laver des petites charges de 2-3 articles légèrement sales dont on a besoin rapidement. Ce programme combine un culbutage à vitesse rapide, une durée de lavage plus courte et un essorage à vitesse très élevée pour réduire la durée de séchage.

Delicate/Silk (articles délicats/soie)

Utiliser ce programme pour nettoyer les soies et les vêtements ultra-déliés. (Consulter les consignes de l'étiquette pour s'assurer que le vêtement est lavable.) Ce programme effectue un culbutage délicat et évacue l'eau sans essorage pour nettoyer les vêtements en douceur et réduire le froissement au minimum. Les vêtements seront davantage mouillés à la fin du programme, du fait de l'absence d'essorage.

- Utiliser des sacs en filet pour laver les sous-vêtements tels que les soutiens-gorge à armatures, les articles avec cordons et les articles de petite taille tels que les chaussettes.

Wool/Hand Wash (lainages/articles lavables à la main)

Utiliser ce programme pour nettoyer les lainages et les vêtements nécessitant un soin spécial. (Consulter les consignes de l'étiquette pour s'assurer que le vêtement est lavable.) Semblable à la façon dont les vêtements sont lavés à la main dans un évier, l'action de lavage de ce programme combine des périodes de culbutage à très basse vitesse et de trempage. Les faibles vitesses d'essorage réduisent le froissement.

- Utiliser des sacs en filet pour laver les sous-vêtements tels que les soutiens-gorge à armatures, les articles avec cordons et les articles de petite taille tels que les chaussettes.

Favorite (préféré)

Le programme Favorite (préféré) vous permet d'enregistrer un programme de lavage personnalisé pour une prochaine utilisation.

Pour personnaliser un programme de lavage :

1. Sélectionner un programme.
2. Sélectionner les OPTIONS désirées.
3. Sélectionner les MODIFICATEURS désirés (niveau de saleté, température et vitesse d'essorage).
4. Pour enregistrer le programme, appuyer sur FAVORITE (pendant environ 3 secondes) ou jusqu'à ce qu'un signal sonore retentisse et que les lettres "SET" s'affichent sur votre machine.
5. Appuyer sur START (mise en marche).
6. Pour réutiliser ce programme, sélectionner FAVORITE et appuyer sur START (mise en marche).

Rinse/Spin (rinçage/essorage)

Utiliser ce programme pour obtenir un rinçage et un essorage seulement. Ce programme combine un culbutage à vitesse élevée et un essorage à vitesse très élevée. On peut réduire la vitesse d'essorage en sélectionnant la vitesse souhaitée à partir du modificateur SPIN SPEED (vitesse d'essorage).

Le programme Rinse/Spin est utile pour

- Les charges qui nécessitent un rinçage uniquement.
- Ajouter de l'assouplissant de tissu à une charge en utilisant le distributeur d'assouplissant de tissu.

Drain/Spin (vidange/essorage)

Utiliser ce programme pour vidanger la laveuse ou pour vidanger et essorer la charge de lavage. La vitesse d'essorage est pré-réglée à Extra High (très élevée). On peut réduire la vitesse d'essorage en sélectionnant la vitesse souhaitée à partir du modificateur SPIN SPEED (vitesse d'essorage).

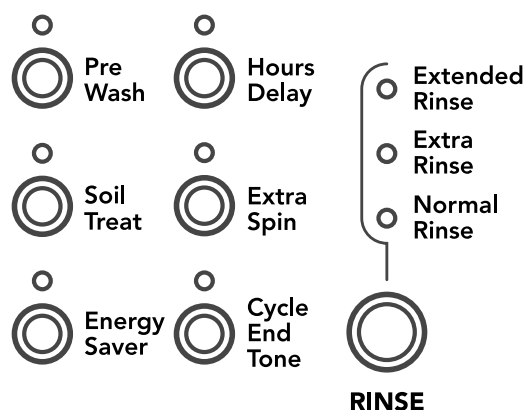
REMARQUE : Les charges de vêtements synthétiques, tissus délicats, articles lavables à la main et lainages doivent être vidangés sans essorage ou avec essorage à basse vitesse pour ne pas déformer les tissus.

Sons normaux

Comme pour tout appareil neuf, vous entendrez des sons auxquels vous n'êtes pas habitués. Vous pouvez entendre différents sons lors du verrouillage/déverrouillage de la porte et durant le processus de lavage, rinçage ou essorage. Entre les changements dans les actions de lavage, la laveuse fera des pauses momentanées. Vous entendrez l'éclaboussement de l'eau pendant les programmes de lavage et de rinçage. Ces nouveaux sons et pauses font partie du fonctionnement normal de la laveuse. Voir "Dépannage".

Options

Vous pouvez personnaliser votre lavage en ajoutant des options à vos sélections de programme. Vous pouvez ajouter ou modifier une option après le début d'un programme à tout moment avant la mise en marche de l'option sélectionnée. Toutes les options ne sont pas disponibles avec tous les programmes.



Options

- Consulter la section "Guide de lessivage" pour un aperçu des options possibles pour chaque sélection de programme.
- Vous pouvez choisir plusieurs options par programme. Certaines options ne peuvent être sélectionnées avec certains programmes; par exemple, l'option Soil Treat (traitement des taches) est incompatible avec le programme Rapid Wash (lavage rapide).
- Si une option est disponible avec un programme sélectionné, le témoin lumineux pour cette option s'allume au moment de la sélection.
- Si une option n'est pas disponible avec un programme sélectionné, un bref signal sonore est émis et le témoin lumineux pour cette option ne s'allume pas au moment de la sélection.

Prewash (pré-lavage)

Utiliser cette option pour des charges d'articles très sales qui nécessitent un prétraitement. Cette option ajoute une période de pré-lavage et de vidange de 15 minutes au programme de lavage principal.

- Verser le détergent dans les compartiments de pré-lavage et de lavage principal du tiroir distributeur.
- En cas de pré-lavage, ne pas utiliser de détergent liquide dans le compartiment de lavage principal. Utiliser un détergent en poudre pour le programme de lavage principal (voir "Utilisation du distributeur").

Soil Treat (traitement des taches)

Utiliser cette option pour des charges de vêtements très sales qui nécessitent un traitement renforcé contre les taches. Lorsque l'option Soil Treat est sélectionnée, la température de l'eau du programme de lavage sélectionné est automatiquement réglée à Hot/Cold (chaude/froide). L'eau sera ensuite chauffée pour atteindre progressivement une température élevée afin de favoriser l'élimination des taches. Cette option permettra l'élimination optimale des souillures organiques telles que le sang.

REMARQUE : Si l'option Soil Treat est sélectionnée avec le programme Sanitary (sanitaire), l'eau sera chauffée pour atteindre une température très élevée.

Energy Saver (économie d'énergie)

L'option Energy Saver vous permet d'augmenter les économies d'énergie sur les programmes à température plus élevée (White/Cotton et Heavy Duty) tout en préservant la performance de nettoyage grâce à une prolongation de la durée de lavage d'environ 10 minutes.

REMARQUE : Pour un meilleur rendement énergétique, utiliser le programme Normal/Casual (normal/tout-aller).

Hours Delay (mise en marche différée)

Pour différer la mise en marche d'un programme, sélectionner Hours Delay jusqu'à ce que la durée différée désirée soit indiquée sur l'afficheur de la durée résiduelle estimée. Sélectionner START (mise en marche). La fenêtre d'affichage indique le compte à rebours jusqu'au programme de lavage.

- En cas de mise en marche différée d'un programme, utiliser seulement des détergents en poudre dans le compartiment de lavage principal car les détergents liquides risquent de suinter hors du compartiment avant le début du programme de lavage.

Extra Spin (essorage supplémentaire)

Utiliser cette option pour ajouter un essorage supplémentaire à n'importe quel programme.

Cycle End Tone (signal de fin de programme)

Ce signal est utile lorsqu'on retire les articles de la laveuse aussitôt qu'elle s'arrête.

Normal Rinse (rinçage normal)

Processus de rinçage en deux phases efficace pour la lessive de tous les jours.

Extra Rinse (rinçage supplémentaire)

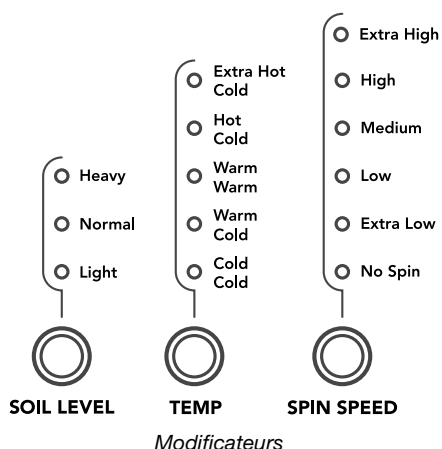
Un second rinçage peut être effectué pour garantir l'élimination des résidus de détergent ou d'agent de blanchiment sur les vêtements. Cette option fournit un rinçage supplémentaire avec une eau à la même température que pour le premier rinçage.

Extended Rinse (rinçage prolongé)

Cette option fournit le meilleur niveau de rinçage, afin de permettre une élimination encore meilleure du détergent.

Modificateurs

Les pré-réglages de programme pour la température de l'eau, de lavage/rinçage et la vitesse d'essorage peuvent être modifiés. Vous pouvez changer un modificateur après le début d'un programme à tout moment avant la mise en marche du modificateur sélectionné. Tous les modificateurs ne sont pas disponibles avec toutes les options et tous les programmes.



- Pour modifier la durée du programme, sélectionner le bouton SOIL LEVEL (niveau de saleté) jusqu'à ce que le réglage désiré s'allume.
- Pour modifier la température de l'eau, sélectionner le bouton TEMP jusqu'à ce que le réglage désiré s'allume.
- Pour modifier la vitesse d'essorage, sélectionner le bouton SPIN SPEED (vitesse d'essorage) jusqu'à ce que le réglage désiré s'allume.

Temp. de lavage/rinçage

Sélectionner une température de l'eau selon le type de charge à laver. Utiliser l'eau la plus chaude sans danger pour les tissus. Suivre les instructions figurant sur l'étiquette des vêtements.

Les rinçages à l'eau tiède permettent un meilleur séchage que les rinçages à froid. Les rinçages à l'eau tiède augmentent le froissement. Dans les climats froids, un rinçage à l'eau tiède facilite la manipulation de la charge. Les rinçages à froid économisent de l'énergie.

Guide de température

Température de l'eau de lavage	Tissus suggérés
EXTRA HOT (très chaude)*	Tissus grand teint robustes Saleté intense
HOT (chaude)*	Blancs et couleurs claires Saleté intense
WARM (tiède)	Couleurs vives Saleté modérée à légère
COLD (froide)	Couleurs qui déteignent ou s'atténuent Saleté légère

*Lorsque l'option Soil Treat (traitement des taches) est sélectionnée, l'eau est chauffée progressivement pour favoriser l'élimination des souillures organiques telles que le sang.

Dans les températures d'eau de lavage inférieures à 60°F (15,6°C), les détergents ne se dissolvent pas correctement. Les saletés peuvent être difficiles à enlever.

Commande automatique de la température SENSORSURE®

La commande automatique de la température SENSORSURE® détecte et maintient électroniquement une température d'eau uniforme. La commande automatique de la température SENSORSURE® régule l'arrivée d'eau chaude et d'eau froide. La commande automatique de la température SENSORSURE® est automatiquement activée lorsqu'un programme est sélectionné. (Voir "Pré-réglages de programme" dans "Programmes".)

- La commande automatique de température SENSORSURE® fonctionne pour la température de lavage avec les réglages Extra Hot/Cold (très chaude/froide), Hot/Cold (chaude/froide), Warm/Warm (tiède/tiède), Warm/Cold (tiède/froide), et Cold/Cold (froide/froide).
- La commande automatique de la température SENSORSURE® fonctionne pour la température de rinçage avec le réglage Warm/Warm (tiède/tiède).

Guide de lessivage

Consulter ce tableau pour les types de charges suggérés et le programme correspondant. Pour chacun des programmes de la laveuse, les options disponibles sont indiquées à droite.

PROGRAMME	TYPE DE CHARGE SUGGÉRÉ	OPTIONS DISPONIBLES						
		Pré-lavage	Traitement des taches	Économie d'énergie	Mise en marche différée	Essorage supplémentaire	Rinçage prolongé	Rinçage supplémentaire
Sanitary (sanitaire)	Sous-vêtements, serviettes, vêtements de travail, couches, etc. très sales	✓	✓		✓	✓	✓	✓
White/Cotton (blanc/coton)	Tissus blancs en coton ou mélanges de coton très sales	✓	✓	✓	✓	✓	✓	✓
Heavy Duty (service intense)	Vêtements modérément sales tels que vêtements de travail, sous-vêtements, serviettes, jeans, tissus robustes	✓	✓	✓	✓	✓	✓	✓
Oversized Items (articles surdimensionnés)	Articles normalement sales tels que couvertures, couettes, oreillers, vestes encombrantes, etc.				✓		✓	✓
Normal/Casual (normal/tout-aller)	Vêtements légèrement à normalement sales tels que chemisiers, chemises, pantalons, polos en coton, polyester, lin et mélanges de coton	✓	✓		✓	✓	✓	✓
Rapid Wash (lavage rapide)	Vêtements légèrement sales tels que vêtements tout-aller ou de sport en coton, polyester, nylon ou mélanges de coton				✓	✓	✓	✓
Delicate/Silk (articles délicats/soie)	Articles en soie lavables en machine et articles délicats tels que robes, chemisiers, jupes, pantalons tout-aller et rideaux				✓		✓	✓
Wool/Hand Wash (lainages/articles lavables à la main)	Lainages lavables en machine et articles nécessitant un soin particulier lavables en machine tels que chandails, tricotés et robes				✓		✓	
Rinse/Spin (rinçage/essorage)	Tous types de charges				✓	✓	✓	✓
Drain/Spin (vidange/essorage)	Tous types de charges				✓	✓		

CONSEILS DE LESSIVAGE

Préparation des vêtements pour le lavage

Suivre les recommandations suivantes pour prolonger la vie de vos vêtements.

- Utiliser uniquement des détergents Haute efficacité. Pour ce type de détergent, "HE" ou "Haute efficacité" sera mentionné sur l'emballage. Ce système de lavage, utilisant moins d'eau, provoquera trop de mousse avec un détergent ordinaire non-HE. L'utilisation d'un détergent ordinaire est susceptible d'occasionner des erreurs de la part de la laveuse, des durées de programmes plus longues et une performance de rinçage réduite. Ceci peut aussi entraîner des défaillances des composants et une moisissure perceptible. Les détergents HE sont conçus pour produire la quantité de mousse adéquate pour le meilleur rendement. Suivre les recommandations du fabricant pour déterminer la quantité de détergent à utiliser.



Utiliser uniquement un détergent HE Haute efficacité.

- Fermer les fermetures à glissière, les boutons pression et les crochets pour éviter d'accrocher d'autres articles. Retirer les épingles, boucles et autres objets durs pour éviter d'égratigner l'intérieur de la laveuse. Ôter les garnitures et les ornements non lavables.
- Vider les poches et les retourner.
- Retourner les revers et enlever la charpie et la poussière avec une brosse.
- Retourner les tricots synthétiques pour éviter le boulochage.
- Attacher les cordons et les ceintures pour empêcher l'emmêlement.
- Raccorder les déchirures, les ourlets défaits et les coutures.
- Traiter les taches.
- Les vêtements tachés ou mouillés doivent être lavés sans délai pour obtenir les meilleurs résultats.
- Mélanger les petits articles avec les gros, éviter de laver un article seul et répartir la charge de façon égale dans la laveuse.
- Laver les petits articles tels que les chaussettes d'enfants dans un sac en filet pour le linge. Pour obtenir une charge équilibrée, on recommande d'utiliser plus d'un sac et de remplir chaque sac avec des quantités similaires.

REMARQUE : Si vous lavez uniquement des petits articles, il est recommandé d'utiliser plus d'un sac et de remplir chaque sac avec des quantités similaires.

Tri

- Séparer les articles très sales des articles légèrement sales, même si on les lave normalement ensemble. Séparer les articles qui forment de la charpie (serviettes, chenille) des articles qui retiennent la charpie (velours côtelé, synthétiques, pressage permanent). Dans la mesure du possible, retourner les articles qui forment de la charpie.
- Séparer les couleurs foncées des couleurs claires et les articles grand teint des articles qui déteignent.
- Trier en fonction des tissus et de la confection (cotons solides, tricots, articles délicats).

Déchargement

- Retirer les vêtements de la laveuse une fois que le programme est terminé. Des objets en métal comme les fermetures à glissière, les boutons-pression et les boucles peuvent rouiller si on les laisse longtemps dans le panier de la laveuse.
- Lorsqu'on retire le linge, vérifier de temps en temps sous le joint/soufflet en caoutchouc gris à l'avant de la cuve qu'il n'y ait pas de petits articles coincés.

Chargement

Suggestions de chargement (charges maximum)

Vêtements de travail lourds

4 jeans	2 survêtements (bas)
4 pantalons	2 survêtements (hauts)
4 chemises	

Serviettes

10 serviettes de bain	14 débarbouillettes
10 serviettes à main	

Charge mixte

3 draps (1 très grand, 2 simples)	9 tee-shirts
4 taies d'oreiller	9 shorts
3 chemises	10 mouchoirs
3 chemisiers	

Programme Rapid Wash (lavage rapide)

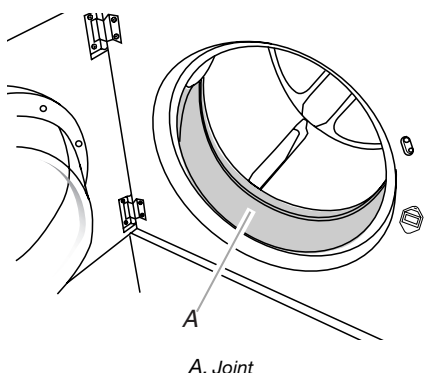
2 chemises habillées	1 pantalon habillé
----------------------	--------------------

ENTRETIEN DE LA LAVEUSE

Nettoyage de la laveuse

Nettoyage du joint de la porte

1. Ouvrir la porte de la laveuse et retirer tout vêtement ou article de la laveuse.
2. Examiner le joint de couleur grise entre l'ouverture de la porte et le panier pour déceler des zones tachées. Tirer sur le joint pour examiner des zones situées en-dessous.



3. Si des zones tachées sont décelées, essuyer ces zones en respectant la procédure indiquée ci-dessous.
 - a) Mélanger une solution diluée en utilisant $\frac{3}{4}$ de tasse (177,4 mL) d'agent de blanchiment liquide et 1 gal. (3,8 L) d'eau tiède du robinet.
 - b) Essuyer la zone du joint avec la solution diluée, en utilisant un chiffon humide.
 - c) Laisser agir pendant 5 minutes.
 - d) Essuyer la zone complètement avec un chiffon sec et laisser l'intérieur de la laveuse sécher.

IMPORTANT :

- Porter des gants en caoutchouc en cas de nettoyage pendant une période prolongée.
- Consulter les instructions du fabricant de l'agent de blanchiment pour une utilisation correcte.

Procédure mensuelle d'entretien de la laveuse

La laveuse comporte un programme spécial incorporé dans la programmation de la machine. En appuyant sur une combinaison spécifique de boutons, vous aurez accès à ce programme de nettoyage. Ce programme utilise des volumes d'eau plus importants en combinaison avec l'agent de blanchiment liquide pour nettoyer à fond l'intérieur de la machine à laver.

REMARQUES :

- Lire ces instructions complètement avant de débiter la procédure de nettoyage.
- Si nécessaire, le programme de nettoyage peut être interrompu en appuyant sur le bouton PAUSE/CANCEL (pause/annulation). Cependant, ceci n'arrêtera pas immédiatement le programme. La machine affichera "int" (interruption) et poursuivra avec plusieurs rinçages et vidanges afin d'évacuer toute trace d'agent de blanchiment de la laveuse.

Début de la procédure

1. Ouvrir la porte de la laveuse et retirer tout vêtement ou article de la laveuse.
2. Vérifier que la porte est fermée.
3. Ouvrir le tiroir distributeur et ôter la cloison du compartiment du détergent de lavage principal. Voir "Utilisation du distributeur" pour des instructions. Aucun produit de lessive ne sera ajouté à ce stade; il sera nécessaire d'ajouter uniquement de l'agent de blanchiment, lors d'une étape ultérieure.
4. S'assurer que le tiroir distributeur est fermé.
5. Pour accéder au programme, il faut appuyer sur une combinaison spécifique de boutons.
 - Sélectionner le bouton RINSE/SPIN (rinçage/essorage).
 - Sélectionner la vitesse d'essorage LOW (basse).
 - Sélectionner la température de l'eau WARM/COLD (tiède/froide).
 - Sélectionner l'option EXTRA RINSE (rinçage supplémentaire).
 - Appuyer 4 fois sur le bouton CYCLE END TONE (signal de fin de programme) dans les 5 secondes pour mettre le programme en marche. La porte se verrouillera et le remplissage débutera.
6. La machine émettra 4 brefs signaux sonores. Observer l'afficheur de la durée résiduelle estimée pour identifier les codes indiqués ci-dessous.

REMARQUE : L'eau dans la laveuse sera d'abord distribuée pendant une certaine période, puis la porte se déverrouillera, se verrouillera à nouveau, et enfin le programme se poursuivra.

- La machine se remplira et effectuera un court programme de détection. Ceci prendra environ 3 minutes.

- a) Si la laveuse affiche les lettres "Ab" (ajouter l'agent de blanchiment) sur l'afficheur de la durée résiduelle estimée, 4 brefs signaux sonores seront émis. Passer à l'étape 6.

- b) Si la laveuse affiche les lettres "rL" (retirer la charge) sur l'afficheur de la durée résiduelle estimée, un signal sonore d'erreur sera émis. La porte se déverrouillera.

- Ouvrir la porte et retirer les articles de la laveuse.

- Poursuivre le programme en appuyant sur le bouton START (mise en marche).

REMARQUE : L'eau dans la laveuse sera d'abord distribuée pendant une certaine période, puis la porte se déverrouillera, se verrouillera à nouveau, et enfin le programme se poursuivra avec une nouvelle vérification de la présence d'articles dans la laveuse.

- La machine se remplira et effectuera un court programme visant à déterminer si des articles ont été laissés dans la laveuse. Ceci prendra environ 3 minutes.

- La laveuse répètera l'étape 5 jusqu'à ce qu'elle soit en mesure de déterminer qu'il n'y a aucun article dans la laveuse; l'afficheur indiquera "Ab" (ajouter l'agent de blanchiment).

7. Ajouter l'agent de blanchiment liquide.

- a) En cas de première utilisation de la procédure d'entretien, ouvrir le tiroir distributeur et verser immédiatement 1 tasse (236,6 mL) d'agent de blanchiment liquide dans le compartiment du détergent de lavage principal. L'agent de blanchiment liquide devrait immédiatement s'écouler du distributeur.
- b) S'il s'agit de la procédure d'entretien mensuel, ouvrir le tiroir distributeur et verser immédiatement 1/3 de tasse (78,8 mL) d'agent de blanchiment liquide dans le compartiment du détergent de lavage principal. L'agent de blanchiment liquide devrait immédiatement s'écouler du distributeur.

REMARQUES :

- L'eau s'écoulera dans le tiroir distributeur lorsque l'agent de blanchiment sera ajouté. Ceci est normal.
 - Ne pas verser de détergent pour ce programme de nettoyage. L'utilisation de plus d'une tasse (236,6 mL) d'agent de blanchiment occasionnera avec le temps des dommages au produit.
8. Une fois que le programme de nettoyage a commencé, laisser le programme s'achever. La durée estimée du programme apparaîtra sur l'afficheur.
 9. À la fin du programme de nettoyage, laisser la porte légèrement ouverte pour permettre une meilleure ventilation et le séchage de l'intérieur de la laveuse.
 10. Réinstaller la cloison du compartiment de détergent.

Toujours suivre la procédure qui suit pour préserver la fraîcheur de la laveuse

- Utiliser uniquement un détergent HE Haute efficacité.
- Laisser la porte légèrement ouverte après chaque programme pour permettre une meilleure ventilation et le séchage de l'intérieur de la sècheuse.
- Effectuer la procédure d'entretien mensuelle de la laveuse en utilisant 1/3 de tasse (78,8 mL) d'agent de blanchiment liquide.
- Si la procédure ne permet pas de remédier suffisamment aux problèmes de fraîcheur de la machine, examiner les conditions d'installation et d'utilisation pour déceler d'autres causes.

Nettoyage de l'extérieur

Pour éviter d'endommager le fini extérieur en acier inoxydable, ne pas utiliser de tampons à récurer savonneux, de nettoyeurs abrasifs, de tampons en laine d'acier, de chiffons de lavage rudes ou certains essuie-tout sur les surfaces en acier inoxydable.

- Pour nettoyer les surfaces en acier inoxydable de la laveuse, utiliser un nettoyeur pour acier inoxydable. Frotter dans la direction du grain.
- Pour nettoyer le revêtement décoratif facultatif, le retirer de la partie supérieure de la laveuse et nettoyer les deux côtés avec un nettoyeur tout-usage. Rincer à l'eau et sécher avec un chiffon doux sans charpie. Le réinstaller sur la partie supérieure de la laveuse.

Nettoyage du tiroir distributeur

Le tiroir distributeur est amovible pour faciliter le nettoyage.

1. Déverrouiller le tiroir distributeur en appuyant sur le levier de dégagement dans le compartiment de prélavage. Voir "Utilisation du distributeur". Retirer le tiroir.
2. Ôter les pièces incluses (le siphon des compartiments de l'assouplissant de tissu et de l'agent de blanchiment et le séparateur).
3. Laver les pièces sous l'eau du robinet.
4. Réinstaller les pièces incluses et remettre le distributeur dans le tiroir.

Tuyaux d'arrivée d'eau

Remplacer les tuyaux d'arrivée d'eau d'origine après 10 ans d'utilisation pour réduire le risque de défaillance intempestive. Inspecter périodiquement les tuyaux; les remplacer en cas de renflement, de déformation, de coupure et d'usure ou si une fuite se manifeste.

Lors du remplacement des tuyaux d'arrivée d'eau, inscrire la date du remplacement.

Précautions à prendre avant les vacances, un entreposage ou un déménagement

Installer et remiser la laveuse à l'abri du gel. L'eau qui peut rester dans les tuyaux risque d'abîmer la laveuse en temps de gel. Si la laveuse doit faire l'objet d'un déménagement ou de remisage au cours d'une période de gel, préparer l'appareil pour l'hiver.

Entretien en cas de non-utilisation ou de période de vacances :

Faire fonctionner la laveuse seulement lorsqu'on est présent. Si vous devez partir en vacances ou ne pas utiliser la laveuse pendant une période prolongée, vous devez exécuter les opérations suivantes :

- Débrancher la laveuse ou déconnecter la source de courant électrique.
- Fermer l'alimentation d'eau de la laveuse. Ceci aide à éviter les inondations accidentelles (dus à une augmentation de la pression) quand vous êtes absent.
- Ouvrir légèrement la porte pour fournir une ventilation.

Préparation de la laveuse pour l'hiver :

1. Verser 1 pinte (1 L) d'antigel pour véhicule récréatif dans le tambour.
2. Faire exécuter à la laveuse un programme DRAIN/SPIN (vidange/essorage).
3. Débrancher la laveuse ou déconnecter la source de courant électrique.
4. Fermer les deux robinets d'eau.
5. Débrancher les tuyaux d'arrivée d'eau des robinets et les vider.

Remise en marche de la laveuse :

1. Vidanger les canalisations d'eau.
2. Reconnecter les tuyaux d'arrivée d'eau aux robinets.
3. Ouvrir les deux robinets d'eau.

Transport de la laveuse :

1. Si la laveuse doit être déplacée en temps de gel, verser une pinte (1 L) d'antigel pour véhicule récréatif dans le tambour. Faire exécuter à la laveuse un programme DRAIN/SPIN (vidange/essorage).
2. Débrancher le cordon d'alimentation.
3. Débrancher le tuyau de vidange du système de vidange et le fixer aux pinces du panneau arrière.
4. Fermer les deux robinets d'eau.
5. Déconnecter les tuyaux d'arrivée d'eau des robinets puis vidanger les tuyaux et les fixer au panneau arrière de la laveuse.
6. **IMPORTANT** : Faire un appel de service. Ne pas réutiliser les boulons de transport. La laveuse doit être transportée en position verticale. Pour éviter des dommages concernant la suspension et la structure, votre appareil doit être correctement monté pour réinstallation ultérieure par un technicien certifié.

Réinstallation de la laveuse

1. Suivre les "Instructions d'installation" pour choisir l'emplacement, régler l'aplomb de la laveuse et la raccorder.
2. Faire exécuter à la laveuse un programme NORMAL/CASUAL (normal/tout-aller) avec la moitié de la quantité normale recommandée de détergent HE pour une charge moyenne, afin de nettoyer la laveuse et enlever l'antigel, le cas échéant.

AVERTISSEMENT



Risque de choc électrique

Brancher sur une prise à 3 alvéoles reliée à la terre.

Ne pas enlever la broche de liaison à la terre.

Ne pas utiliser un adaptateur.

Ne pas utiliser un câble de rallonge.

Le non-respect de ces instructions peut causer un décès, un incendie ou un choc électrique.

4. Brancher la laveuse ou reconnecter la source de courant électrique.
5. Faire exécuter à la laveuse un programme NORMAL/CASUAL (normal/tout-aller) avec la moitié de la quantité normale recommandée de détergent HE pour une charge moyenne, afin de nettoyer la laveuse et enlever l'antigel, le cas échéant.

DÉPANNAGE

Essayer d'abord les solutions suggérées ici pour éviter possiblement le coût d'une visite de service...

La laveuse et ses composants

Codes d'erreur

■ "FH" (problème d'entrée d'eau - approvisionnement nul ou insuffisant en eau)

Sélectionner deux fois PAUSE/CANCEL (pause/annulation) pour annuler le programme. Débrancher la laveuse ou déconnecter la source de courant électrique.

Vérifier ce qui suit :

Les robinets d'eau sont-ils complètement ouverts?

Les tamis au point de raccordement des tuyaux d'arrivée d'eau à la laveuse sont-ils obstrués?

Les tuyaux d'arrivée d'eau sont-ils déformés?

Les tuyaux d'arrivée d'eau sont-ils gelés?

Brancher la laveuse ou reconnecter la source de courant électrique. Sélectionner à nouveau un programme et appuyer sur START (mise en marche). Si le problème persiste, faire un appel de service.

■ "F02" (problème de vidange)

Sélectionner deux fois PAUSE/CANCEL (pause/annulation) pour annuler le programme. Débrancher la laveuse ou déconnecter la source de courant électrique.

Vérifier ce qui suit :

Le tuyau de vidange est-il déformé?

Le tuyau de vidange est-il gelé?

Le tuyau de vidange est-il obstrué?

Le tuyau de vidange est-il à plus de 96" (2,4 m) au-dessus du plancher?

■ "SUD" (procédure contre la mousse)

Lorsqu'un excès de mousse est détecté, une procédure contre la mousse se met en marche automatiquement. Cette procédure élimine l'excès de mousse et permet un rinçage correct de vos vêtements. "SUD" s'affiche durant la période de rinçage et à la fin du programme pour indiquer que la procédure contre la mousse a été activée. Utiliser uniquement des détergents HE (haute efficacité).

■ Variables "F" [F4 à F16] (problème électrique)

Sélectionner deux fois PAUSE/CANCEL (pause/annulation) pour annuler le programme. Sélectionner DRAIN/SPIN (vidange/essorage) en cas d'excès d'eau dans la laveuse.

Sélectionner à nouveau un programme et appuyer sur START (mise en marche). Si le problème persiste, faire un appel de service.

Bruit, vibrations, déséquilibre

■ La laveuse est-elle d'aplomb et les 4 pieds sont-ils bien en contact avec le plancher?

La laveuse doit être d'aplomb. Les quatre pieds doivent être installés correctement et les écrous doivent être serrés contre la caisse de la laveuse. Voir "Réglage de l'aplomb de la laveuse".

■ La laveuse fait-elle un bruit différent?

Comme pour tout appareil neuf, vous entendrez des sons auxquels vous n'êtes pas habitués. Vous pouvez entendre différents sons lors du verrouillage/déverrouillage de la porte et durant le processus de lavage, rinçage ou essorage. Entre les changements dans les actions de lavage, la laveuse fera des pauses momentanées. Vous entendrez l'éclaboussement de l'eau pendant les programmes de lavage et de rinçage. Ces nouveaux sons et pauses font partie du fonctionnement normal de la laveuse.

■ La laveuse est-elle installée sur un plancher robuste et solide?

Se référer aux "Instructions d'installation" pour les exigences relatives au plancher. Le bruit et les vibrations peuvent être réduits en plaçant une planche de contreplaqué de ¾" (19,1 mm) Le contreplaqué peut se prolonger en dessous de la laveuse et de la sècheuse

dh-7.1(a)0.1(u)4(t)-8.9(e)u-7.1(ars éga)-8.es

Fuites d'eau de la laveuse

- **La porte a-t-elle été ouverte pendant "Add a garment" (ajouter un vêtement)?**
De l'eau peut suinter de l'intérieur de la porte si celle-ci est ouverte après le début d'un programme.
- **Un détergent HE est-il utilisé?**
Les détergents non identifiés Haute efficacité peuvent causer un excès de mousse qui peut créer des fuites à l'arrière de la laveuse.
- **Les tuyaux de remplissage sont-ils serrés?**
- **Les rondelles en caoutchouc des tuyaux de remplissage d'eau sont-elles correctement installées?**
Vérifier les deux extrémités de chaque tuyau. Voir "Raccordement des tuyaux d'alimentation".
- **Le tuyau de vidange est-il correctement installé?**
Le tuyau de vidange doit être bien fixé au conduit d'évacuation ou à l'évier de buanderie. Voir "Immobilisation du tuyau de vidange".
- **L'évier ou le conduit d'évacuation est-il obstrué?**
L'évier et le tuyau de rejet à l'égout doivent pouvoir drainer 17 gal. (64 L) d'eau par minute. Si le débit d'eau est obstrué ou ralenti, l'eau peut refouler du conduit d'évacuation ou de l'évier. Vérifier la plomberie du domicile (éviers de buanderie, robinets, tuyau de rejet à l'égout, conduites d'eau) pour voir s'il y a des fuites.

Fonctionnement du distributeur

- **Les additifs de lessive sont-ils dans le bon compartiment du distributeur?**
Verser les quantités appropriées de détergent, d'assouplissant de tissu ou d'agent de blanchiment au chlore liquide dans le compartiment adéquat. Verser l'agent de blanchiment en poudre ou liquide sans danger pour les couleurs dans le compartiment du détergent principal. Veiller à utiliser un agent de blanchiment en poudre sans danger pour les couleurs avec un détergent en poudre approprié ou un agent de blanchiment liquide sans danger pour les couleurs avec un détergent liquide approprié.
- **Le séparateur de détergent est-il correctement installé?**
Le séparateur doit être en position avant en cas d'utilisation de détergent liquide et en position arrière en cas d'utilisation de détergent en poudre.
- **Avez-vous suivi les directives du fabricant pour l'addition de détergent et d'assouplissant dans les distributeurs?**
Mesurer la quantité de détergent et d'assouplissant de tissu. Verser lentement dans les distributeurs. Essuyer tout renversement. Diluer l'assouplissant dans le distributeur d'assouplissant.
- **Le distributeur d'assouplissant de tissu est-il obstrué?**
Nettoyer le distributeur d'assouplissant de tissu. Voir "Entretien de la laveuse" pour les détails.
- **Y a-t-il de l'eau dans le distributeur à la fin du programme?**
Une petite quantité d'eau restera dans le compartiment du distributeur. Ceci est normal.

Mauvaises odeurs de la laveuse

- **Avez-vous effectué un programme de nettoyage de la laveuse récemment?**
Pour rafraîchir la laveuse et éviter des odeurs, voir "Nettoyage de la laveuse".
 - **Utilisez-vous un détergent HE?**
L'utilisation d'un détergent non HE peut provoquer un film résiduel à l'origine d'odeurs.
 - **Avez-vous laissé la porte ouverte après utilisation?**
Cette laveuse dispose d'une fermeture étanche pour éviter les fuites d'eau. Pour éviter la formation d'odeurs, laisser la porte ouverte afin de permettre à la laveuse de sécher entre les utilisations.
-

Fonctionnement de la laveuse

- **Les vis de calage ont-elles été retirées?**
Les quatre vis de calage doivent être retirées pour un fonctionnement correct de la laveuse.
- **Un programme a-t-il été sélectionné sans que START ait été sélectionné pendant 1 seconde?**
Appuyer sur START (mise en marche) pendant 1 seconde.
- **La porte a-t-elle été ouverte après l'achèvement du dernier programme?**
La porte doit être ouverte et fermée à nouveau pour mettre en marche un nouveau programme.

La laveuse continue de se remplir ou la vidange se poursuit, le programme de vidange semble bloqué

- **Le haut du tuyau de vidange est-il plus bas que 30" (76 cm) sur la laveuse?**
Le dessus du tuyau de vidange doit être au moins à 30" (76 cm) au-dessus du plancher. Voir "Système de vidange".
- **Le tuyau de vidange est-il trop serré dans le tuyau de rejet à l'égout, ou est-il fixé au tuyau de rejet à l'égout avec du ruban adhésif?**
Le tuyau de vidange doit être lâche mais bien fixé. Ne pas sceller le tuyau de vidange avec du ruban adhésif. Le tuyau a besoin d'une ouverture pour l'air. Voir "Immobilisation du tuyau de vidange".

La laveuse n'effectue pas de vidange ni d'essorage, l'eau reste dans la laveuse

- **Le tuyau de vidange est-il obstrué ou l'extrémité du tuyau de vidange se trouve-t-elle à plus de 96" (2,4 m) au-dessus du plancher?**
- **La tension est-elle basse?**
Vérifier la source de courant électrique ou appeler un électricien.
- **Excès de mousse?**
Lorsqu'un excès de mousse est détecté, une procédure spéciale contre la mousse se met en marche automatiquement. Le programme se terminera une fois que l'excès de mousse sera éliminé. Ceci survient plus fréquemment lorsqu'un détergent non-HE est utilisé.
- **La charge est-elle équilibrée?**
Un seul article ou un article encombrant peut provoquer un déséquilibre. Ajouter des articles ou redistribuer la charge.

Pas assez d'eau/pas assez de mousse

- **Faible niveau d'eau?**
Cette laveuse utilise un faible niveau d'eau afin de fournir des résultats de nettoyage satisfaisants. Vous verrez peu ou pas d'éclaboussures d'eau avec cette laveuse. Ceci est normal.
- **Utilisez-vous un détergent HE?**
Le détergent HE est un détergent qui provoque peu de mousse. Ceci est normal et n'affecte pas la performance de nettoyage.

Température de lavage/rinçage

- **Les robinets d'arrivée d'eau chaude et froide ont-ils été inversés?**
Voir "Raccordement des tuyaux d'alimentation".
- **Lavez-vous un nombre important de charges?**
Lorsque la fréquence de charges lavées augmente, la température de l'eau peut baisser lorsqu'on choisit une température chaude ou tiède. Ceci est normal.

Changements dans la durée du programme/programme trop long

- **Durée de programme estimée?**
Les durées de programme varient automatiquement en fonction de la pression et de la température de l'eau, du détergent et de la charge de linge. La durée du programme sera prolongée en cas d'excès de mousse ou si la charge est déséquilibrée. Les options sélectionnées affectent aussi les durées de programme qui sont mentionnées dans le tableau des préréglages de programme.
- **Excès de mousse?**
Lorsqu'un excès de mousse est détecté, une procédure spéciale contre la mousse se met en marche automatiquement pour éliminer l'excès de mousse et garantir un rinçage correct des vêtements. Cette procédure prolongera la durée initiale du programme.
- **La charge a-t-elle causé un déséquilibre?**
Lorsqu'il y a un trop grand déséquilibre, une procédure de rééquilibrage se met en marche pour redistribuer la charge. L'affichage de la durée se mettra en pause jusqu'à ce que cette activité soit terminée, puis se réactivera pour le reste du programme.
- **Avez-vous choisi le programme Sanitary (sanitaire) ou l'option Soil Treat (traitement des taches)?**
Dans les deux cas, le chauffe-eau sera activé pour fournir le rendement de nettoyage maximal. La durée du programme normal sera prolongée pour chauffer l'eau. Cette durée supplémentaire dépendra du volume de la charge et de la température de l'eau à son entrée dans la laveuse.
- **Lavez-vous un article seul ou une charge encombrante?**
La durée d'essorage est ajoutée si une charge déséquilibrée est détectée. La laveuse tentera de redistribuer la charge avec un culbutage supplémentaire.
- **Avez-vous lavé une grande charge avec le programme Rapid Wash (lavage rapide)?**
Le programme Rapid Wash (lavage rapide) est conçu pour les plus petites charges (2-3 articles) de vêtements légèrement sales. Si des charges plus grandes sont lavées avec ce programme, la durée de lavage augmentera.
- **Avez-vous lavé une grande charge en utilisant un programme doux ou le programme Delicate/Hand wash (articles délicats/lavage à la main)?**
En cas d'utilisation des programmes Quick Wash (lavage rapide), Delicate/Silk (articles délicats/soie) ou Wool/Hand Wash (lainages/articles lavables à la main), il faut ne laver que de petites charges. Ceci assure un lavage délicat de vos vêtements sans augmenter les durées de programme.

Soin des vêtements

Charge trop mouillée

- **Avez-vous utilisé le bon programme pour la charge à laver?**
Choisir un programme avec une vitesse d'essorage plus élevée.
- **Avez-vous lavé un article seul, des articles encombrants ou avez-vous surchargé la laveuse?**
Le lavage d'un seul article ou d'un article encombrant, ou une charge excessive peuvent provoquer un déséquilibre. Ajouter des articles ou essayer de distribuer uniformément la lessive mouillée dans le tambour, et commencer le programme DRAIN/SPIN (vidange/essorage). Si la lessive est encore mouillée, retirer la moitié de la charge de la laveuse et essayer de nouveau.
- **Avez-vous utilisé un détergent HE?**
La présence de mousse durant les programmes de rinçage et d'essorage peut réduire la vitesse d'essorage. Utiliser un détergent HE.

Résidus, charpie, taches sur la charge; blancs grisâtres, couleurs défraîchies

- **Avez-vous versé le détergent dans le distributeur?**
Pour des résultats optimaux, verser le détergent dans le compartiment de détergent. Ne pas verser le détergent dans le tambour de la laveuse.
- **Avez-vous effectué le tri correctement?**
Trier les articles causant la charpie (serviettes, chenille) des articles qui retiennent la charpie (velours côtelé, synthétiques). Le transfert de teinture peut se produire lors du mélange d'articles blancs et de couleur dans une même charge. Séparer les articles de teinte foncée des articles blancs ou clairs.
- **Avez-vous surchargé la laveuse?**
Ne pas surcharger la laveuse. La laveuse peut être bien remplie mais le linge ne doit pas être tassé. La charge de lavage doit être équilibrée. De la charpie peut être coincée dans la charge s'il y a surcharge.
- **Vérifier ce qui suit :**
Avez-vous laissé du papier ou des mouchoirs en papier dans les poches?
- **Avez-vous utilisé suffisamment de détergent HE?**
Suivre les recommandations du fabricant pour le type de charge à laver. Pour des résultats optimaux, utiliser uniquement un détergent Haute efficacité. Utiliser suffisamment de détergent HE pour enlever la saleté et la maintenir en suspension.
- **Avez-vous une eau dure?**
Utiliser plus de détergent pour laver la saleté intense à l'eau froide ou dure.
- **La température de l'eau est-elle inférieure à 60°F (15,6°C)?**
Une eau de lavage dont la température est inférieure à 60°F (15,6°C) peut ne pas dissoudre complètement le détergent. Utiliser les lavages à l'eau chaude ou tiède si celles-ci sont sans danger pour les tissus de la charge. S'assurer que le système d'eau chaude est adéquat pour fournir un lavage à l'eau chaude.

- **Utilisez-vous un programme de lavage à basse vitesse?**
Les détergents en poudre peuvent ne pas se dissoudre correctement durant un programme à basse vitesse. Pour les meilleurs résultats, utiliser un détergent liquide pour les programmes à basse vitesse tels que Delicate/Silk (articles délicats/soie) ou Wool/Hand Wash (lainages/articles lavables à la main).
- **Avez-vous déchargé la laveuse immédiatement?**
Pour éviter le transfert de teinture, décharger la laveuse dès qu'elle s'arrête.
- **Avez-vous utilisé une boule distributrice d'assouplissant de tissu?**
Les boules distributrices ne fonctionnent pas correctement avec cette laveuse. Verser un assouplissant de tissu liquide dans le compartiment d'assouplissant de tissu.
- **Avez-vous utilisé un détergent en poudre pour un programme à vitesse faible?**
Envisager l'utilisation d'un détergent liquide.
- **Avez-vous utilisé le programme Rapid Wash (lavage rapide) pour une grande charge?**
Pour des résultats optimaux, utiliser le programme Rapid Wash (lavage rapide) pour les petites charges de linge légèrement sale.

Présence de taches sur le linge

- **Avez-vous versé le détergent dans le distributeur?**
Pour des résultats optimaux, verser le détergent dans le compartiment de détergent. Ne pas verser le détergent dans le tambour de la laveuse.
- **Avez-vous utilisé suffisamment de détergent HE?**
Utiliser suffisamment de détergent pour enlever la saleté et la maintenir en suspension. Utiliser uniquement un détergent HE. Suivre les recommandations du fabricant pour déterminer la quantité de détergent à utiliser.
- **La présence de fer (rouille) dans l'eau est-elle supérieure à la moyenne?**
Vous aurez peut-être besoin d'installer un filtre à fer.
- **Avez-vous bien trié la charge?**
Séparer les articles de teinte foncée des articles blancs ou clairs.

Linge froissé

- **Avez-vous déchargé la laveuse immédiatement?**
Décharger la laveuse dès qu'elle s'arrête.
- **Avez-vous utilisé le bon programme pour la charge à laver?**
Utiliser le programme Delicate/Silk (articles délicats/soie) ou un autre programme avec essorage à basse vitesse pour réduire le froissement.
- **Avez-vous surchargé la laveuse?**
La charge de lavage doit être équilibrée et pas surchargée. Les charges doivent pouvoir se déplacer librement durant le lavage.
- **L'eau de lavage était-elle suffisamment chaude pour réduire le froissement?**
Si c'est sans danger pour la charge, utiliser une eau de lavage tiède ou chaude.
- **Les robinets d'eau chaude et froide ont-ils été inversés?**
Vérifier que les tuyaux d'eau chaude et d'eau froide sont connectés aux bons robinets. Un rinçage à l'eau chaude suivi d'un essorage provoquera un froissement. Voir "Raccordement des tuyaux d'alimentation".

ASSISTANCE OU SERVICE

Avant de faire un appel pour assistance ou service, veuillez vérifier la section "Dépannage". Cette vérification peut vous faire économiser le coût d'une visite de service. Si vous avez encore besoin d'aide, suivez les instructions ci-dessous.

Lors d'un appel, veuillez connaître la date d'achat et les numéros de modèle et de série complets de votre appareil. Ces renseignements nous aideront à mieux répondre à votre demande.

Si vous avez besoin de pièces de rechange

Si vous avez besoin de commander des pièces de rechange, nous vous recommandons d'utiliser exclusivement des pièces spécifiées par l'usine. Ces pièces conviendront et fonctionneront bien parce qu'elles sont fabriquées selon les mêmes spécifications précises utilisées pour fabriquer chaque nouvel appareil KITCHENAID®. Pour localiser des pièces de rechange spécifiées par l'usine dans votre région, téléphoner au Centre pour l'eXpérience de la clientèle ou au centre de service désigné par KitchenAid le plus proche.

Aux États-Unis

Téléphoner sans frais au Centre pour l'eXpérience de la clientèle au : **1-800-422-1230**.

Nos consultants fournissent de l'assistance pour :

- Caractéristiques et spécifications de notre gamme complète d'appareils ménagers
- Renseignements d'installation
- Vente d'accessoires et de pièces de rechange
- Assistance spécialisée au client (langue espagnole, malentendants, malvoyants, etc.)
- Les références aux concessionnaires, compagnies de service de réparation et distributeurs de pièces de rechange locaux. Les techniciens de service désignés par KitchenAid sont formés pour remplir la garantie des produits et fournir un service après garantie partout aux États-Unis.

Pour localiser la compagnie de service désignée par Kitchen Aid dans votre région, vous pouvez également consulter les Pages jaunes.

Pour plus d'assistance

Si vous avez besoin de plus d'assistance, vous pouvez écrire à KitchenAid en soumettant toute question ou problème à :

KitchenAid Brand Home Appliances
Customer eXperience Center
553 Benson Road
Benton Harbor, MI 49022-2692

Dans votre correspondance, veuillez indiquer un numéro de téléphone où l'on peut vous joindre dans la journée.

Au Canada

Téléphoner sans frais au Centre d'interaction avec la clientèle de KitchenAid Canada au : **1-800-807-6777**.

Nos consultants fournissent de l'assistance pour :

- Procédés d'utilisation et d'entretien
- Vente d'accessoires et de pièces de rechange
- Caractéristiques et spécifications de notre gamme complète d'appareils ménagers
- Les références aux concessionnaires, compagnies de service de réparation et distributeurs de pièces de rechange locaux. Les techniciens de service désignés par KitchenAid Canada sont formés pour remplir la garantie des produits et fournir un service après la garantie, partout au Canada.

Pour plus d'assistance

Si vous avez besoin de plus d'assistance, vous pouvez écrire à KitchenAid Canada en soumettant toute question ou problème à :

Centre d'interaction avec la clientèle
Whirlpool Canada LP
1901 Minnesota Court
Mississauga, Ontario L5N 3A7

Dans votre correspondance, veuillez indiquer un numéro de téléphone où l'on peut vous joindre dans la journée.

GARANTIE DE LA LAVEUSE KITCHENAID® PRO LINE™

GARANTIE LIMITÉE DE CINQ ANS SUR LES PIÈCES ET LA MAIN-D'ŒUVRE

Pendant cinq ans à compter de la date d'achat, lorsque ce gros appareil ménager est utilisé et entretenu conformément aux instructions jointes à ou fournies avec le produit, KitchenAid ou KitchenAid Canada (ci-après désignées "KitchenAid") paiera pour les pièces de rechange spécifiées par l'usine et la main-d'œuvre pour corriger les vices de matériaux ou de fabrication. Le service doit être fourni par une compagnie de service désignée par KitchenAid.

GARANTIE LIMITÉE DE LA CINQUIÈME À LA DIXIÈME ANNÉE INCLUSIVEMENT SUR CERTAINS COMPOSANTS

De la cinquième à la dixième année inclusivement à compter de la date d'achat, lorsque ce gros appareil ménager est utilisé et entretenu conformément aux instructions jointes à ou fournies avec le produit, KitchenAid paiera pour les pièces de rechange pour les composants suivants, en cas de vices de matériaux ou de fabrication : l'ensemble dessus/couvercle et caisse à cause de la rouille; la cuve externe en cas de fissure ou si elle ne réussit pas à garder l'eau.

GARANTIE LIMITÉE À VIE SUR LE FINI EXTÉRIEUR EN ACIER INOXYDABLE ET LE TAMBOUR EN ACIER INOXYDABLE

Pendant la durée de vie du gros appareil ménager, lorsque celui-ci est utilisé et entretenu conformément aux instructions jointes à ou fournies avec le produit, KitchenAid paiera pour les pièces de rechange pour le fini extérieur en acier inoxydable et le tambour en acier inoxydable s'il s'écaille ou rouille à cause de vices de matériaux ou de fabrication.

KITCHENAID NE PRENDRA PAS EN CHARGE

1. Les visites de service pour rectifier l'installation du gros appareil ménager, montrer à l'utilisateur comment utiliser l'appareil, remplacer ou réparer des fusibles ou rectifier le câblage ou la plomberie du domicile.
2. Les visites de service pour réparer ou remplacer les ampoules électriques de l'appareil, les filtres à air ou les filtres à eau. Ces pièces consommables ne sont pas couvertes par la garantie.
3. Les réparations lorsque le gros appareil ménager est utilisé à des fins autres que l'usage unifamilial normal.
4. Les dommages imputables à : accident, modification, usage impropre ou abusif, incendie, inondation, actes de Dieu, installation fautive ou installation non conforme aux codes d'électricité ou de plomberie, ou l'utilisation de produits non approuvés par KitchenAid.
5. Le coût des pièces de rechange et de la main-d'œuvre pour les appareils utilisés hors des États-Unis ou du Canada.
6. Le ramassage et la livraison. Ce gros appareil ménager est conçu pour être réparé à domicile.
7. Les réparations aux pièces ou systèmes résultant d'une modification non autorisée faite à l'appareil.
8. Les frais de voyage et de transport pour le service d'un produit dans les régions éloignées.
9. La dépose et la réinstallation de votre appareil si celui-ci est installé dans un endroit inaccessible ou n'est pas installé conformément aux instructions d'installation fournies.

CLAUSE D'EXONÉRATION DE RESPONSABILITÉ AU TITRE DES GARANTIES IMPLICITES; LIMITATION DES RECOURS

LE SEUL ET EXCLUSIF RECOURS DU CLIENT DANS LE CADRE DE LA PRÉSENTE GARANTIE LIMITÉE CONSISTE EN LA RÉPARATION PRÉVUE CI-DESSUS. LES GARANTIES IMPLICITES, Y COMPRIS LES GARANTIES APPLICABLES DE QUALITÉ MARCHANDE ET D'APTITUDE À UN USAGE PARTICULIER, SONT LIMITÉES À UN AN OU À LA PLUS COURTE PÉRIODE AUTORISÉE PAR LA LOI. KITCHENAID N'ASSUME AUCUNE RESPONSABILITÉ POUR LES DOMMAGES FORTUITS OU INDIRECTS. CERTAINES JURIDICTIONS NE PERMETTENT PAS L'EXCLUSION OU LA LIMITATION DES DOMMAGES FORTUITS OU INDIRECTS, OU LES LIMITATIONS DE LA DURÉE DES GARANTIES IMPLICITES DE QUALITÉ MARCHANDE OU D'APTITUDE À UN USAGE PARTICULIER, DE SORTES QUE CES EXCLUSIONS OU LIMITATIONS PEUVENT NE PAS S'APPLIQUER DANS VOTRE CAS. CETTE GARANTIE VOUS CONFÈRE DES DROITS JURIDIQUES SPÉCIFIQUES ET VOUS POUVEZ ÉGALEMENT JOUIR D'AUTRES DROITS QUI PEUVENT VARIER D'UNE JURIDICTION À UNE AUTRE.

À l'extérieur du Canada et des 50 États des États-Unis, cette garantie ne s'applique pas. Contacter votre marchand KitchenAid autorisé pour déterminer si une autre garantie s'applique.

Si vous avez besoin de service, voir d'abord la section "Dépannage" du Guide d'utilisation et d'entretien. Après avoir vérifié la section "Dépannage", de l'aide supplémentaire peut être trouvée en vérifiant la section "Assistance ou service" ou en appelant KitchenAid. Aux É.-U., composer le **1-800-422-1230**. Au Canada, composer le **1-800-807-6777**. 2/06

Conservez ce manuel et votre reçu de vente ensemble pour référence ultérieure. Pour le service sous garantie, vous devez présenter un document prouvant la date d'achat ou d'installation.

Inscrivez les renseignements suivants au sujet de votre gros appareil ménager pour mieux vous aider à obtenir assistance ou service en cas de besoin. Vous devrez connaître le numéro de modèle et le numéro de série au complet. Vous trouverez ces renseignements sur la plaque signalétique située sur le produit.

Nom du marchand _____

Adresse _____

Numéro de téléphone _____

Numéro de modèle _____

Numéro de série _____

Date d'achat _____

3957648

© 2006. All rights reserved.
Tous droits réservés.

® Registered Trademark/TM Trademark of KitchenAid, U.S.A.,
KitchenAid Canada licensee in Canada
© Marque déposée/TM Marque de commerce de KitchenAid, U.S.A.,
Emploi licencié par KitchenAid Canada au Canada

5/06
Printed in Germany
Imprimé en Allemagne